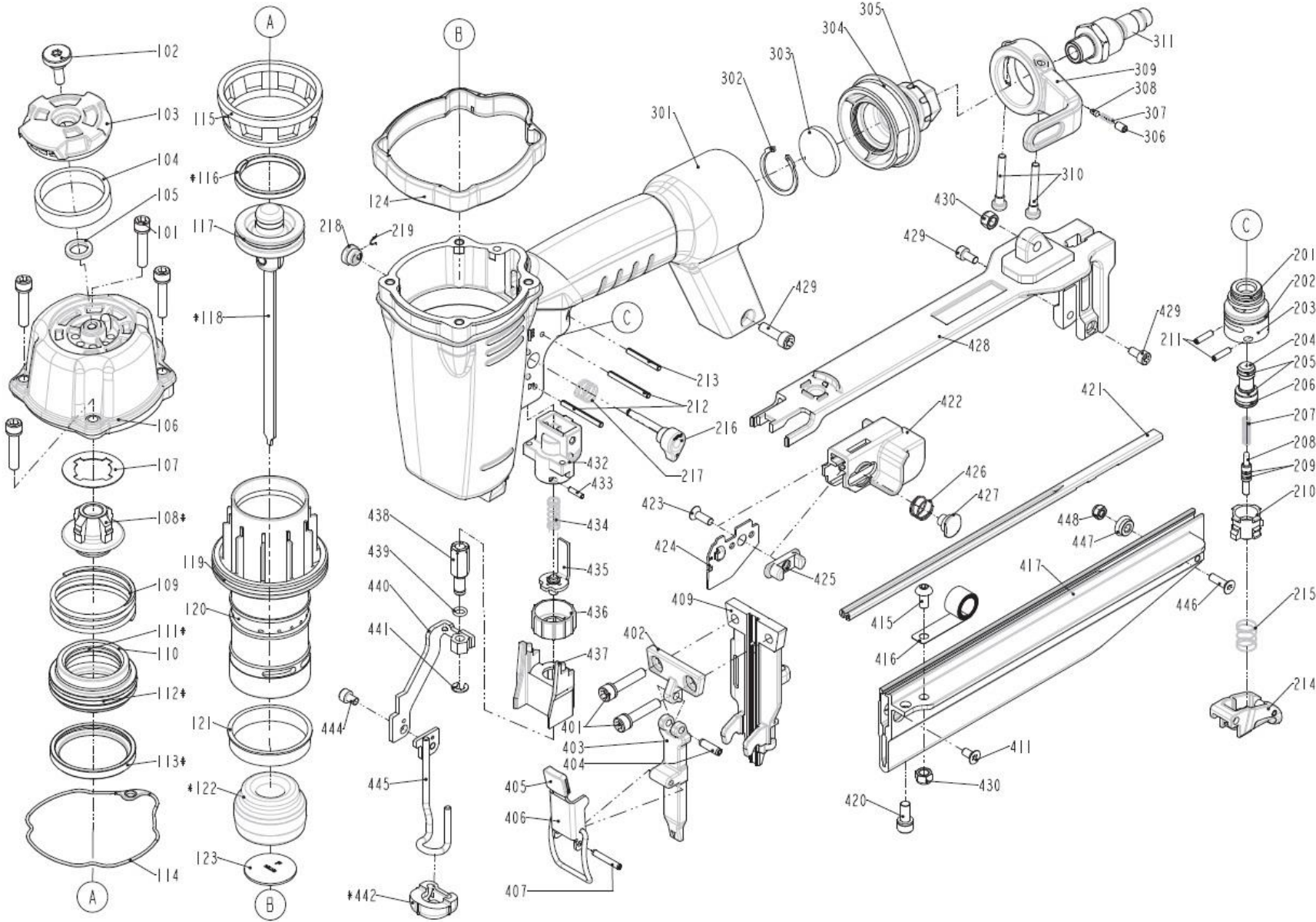


Brad nailer ESSVE BN 16/64



Brad nailer ESSVE BN 16/64

Pos	Art. Nr.	Name	Pos	Art. Nr.	Name	Pos	Art. Nr.	Name	Extras:
101	10001177	BOLT ASSY	215	1137603700011	SPRING	430	10001057	LOCK NUT	901017 (3x442) No mark set
102	10000959	DEFLECTOR BOLT(3M2353)	216		HINGE POINT	432	10000879	SAFETY GUIDE	
103	10000937	DEFLECTOR	217		SPRING	433	10001043	SPRING PIN	
104	10000866	MUFFLER	218	1131M03747011	LOCATING WHEEL	434	10000877	SAFETY SPRING	
105	10000912	RUBBER PAD	219	1131C03700011	RING	435	10000872	SAFETY B	Service kits:
106		CAP	301		GUN BODY UNIT	436	10000977	ADJUST AXIE	901011 Service Kit
107	10000887	SEAL GASKET	302	10001040	SNAP RING	437	10000952	SAFETY COVER	901013 Driver Kit
108*		SEAL	303		FILTER	438	10000976	ADJUST ROD	901015 Latch Kit
109	10000916	COMPRESSION SPRING	304	10001067	O - RING	439	10001063	O - RING	901069 Trigger valve Kit
110	10000929	HD.VALVE PISTON	305	10000894	END CAP	440	10000829	SAFETY UNIT	901195 Trigger Switch kit
111*		O - RING	306	2040104020200	HEX.SOC.HD.SCREW	441	10001038	E - RING	
112*		O - RING	307	10000840	SPRING	442	901017 (3 pcs)	PROTECTIVE CASING	Multiple color, present in both
113*		COLLAR	308	1136C00847011	POSITIONING SHAFT	444	10001003	HEX.SOC.HD.BOLT	
114		PACKING	309	10000883	SPRING RETAINER	445	10000825	SAFETY A UNIT	
115	10000848	CYLINDER PRESS RING	310	10000965	LOCK WASHER	446	10001020	COUNTER SUNK SCREW	
116*		PISTON RING	311	901147	AIR PLUG	447	10000934	FIXED SUPPORT	
117		O - RING	401		BOLT ASSY	448	10001055	LOCK NUT	
118*		DRIVER UNIT	402	10000906	DRIVER GUIDE COVER B				
119		O - RING	403		DRIVER GUIDE COVER A	C		Trigger valve	
120		CYLINDER	404		SPIRAL PINS				
121	10000857	CYLINDER RING	406		LOCK HANDLE UNIT				
122*		BUMPER	407		SPIRAL PINS				
123		DRIVER GUIDE	409	10000833	DRIVER GUIDE				
124		PROTECTIVE CUSHION	411	10001021	COUNTER SUNK SCREW				
201		O - RING	415	10001019	HALF ROUND HD.HEX.BOLT				
202		O - RING	416*	10000941	SPRING				
203		PLUNGER CAP	417	10000961	MAGAZINE A				
204		VALVE PLUNGER	420	10001000	BOLT ASSY				
205		O - RING	421	10000985	STEEL CHANNEL				
206		O - RING	422	10000932	PROTECTING HOOD COVER				
207		SPRING	423	10001022	TAP BOLT				
208		PLUNGER	424	10000920	PUSHER				
209	10001061	O - RING	425	10000849	ANCHOR BLOCK				
210		TRIGGER VALVE HEAD	426	10000925	PUSHER SPRING				
211	10001190	SPRING PIN	427	10000841	DOOR LATCH				
212	10001047	SPRING PIN	428	10000970	MAGAZINE B				
213	10001045	SPRING PIN	429	10001006	HEX.SOC.HD.BOLT				
214	1122403700011	TRIGGER UNIT	429	10001014	HEX.SOC.HD.BOLT				

