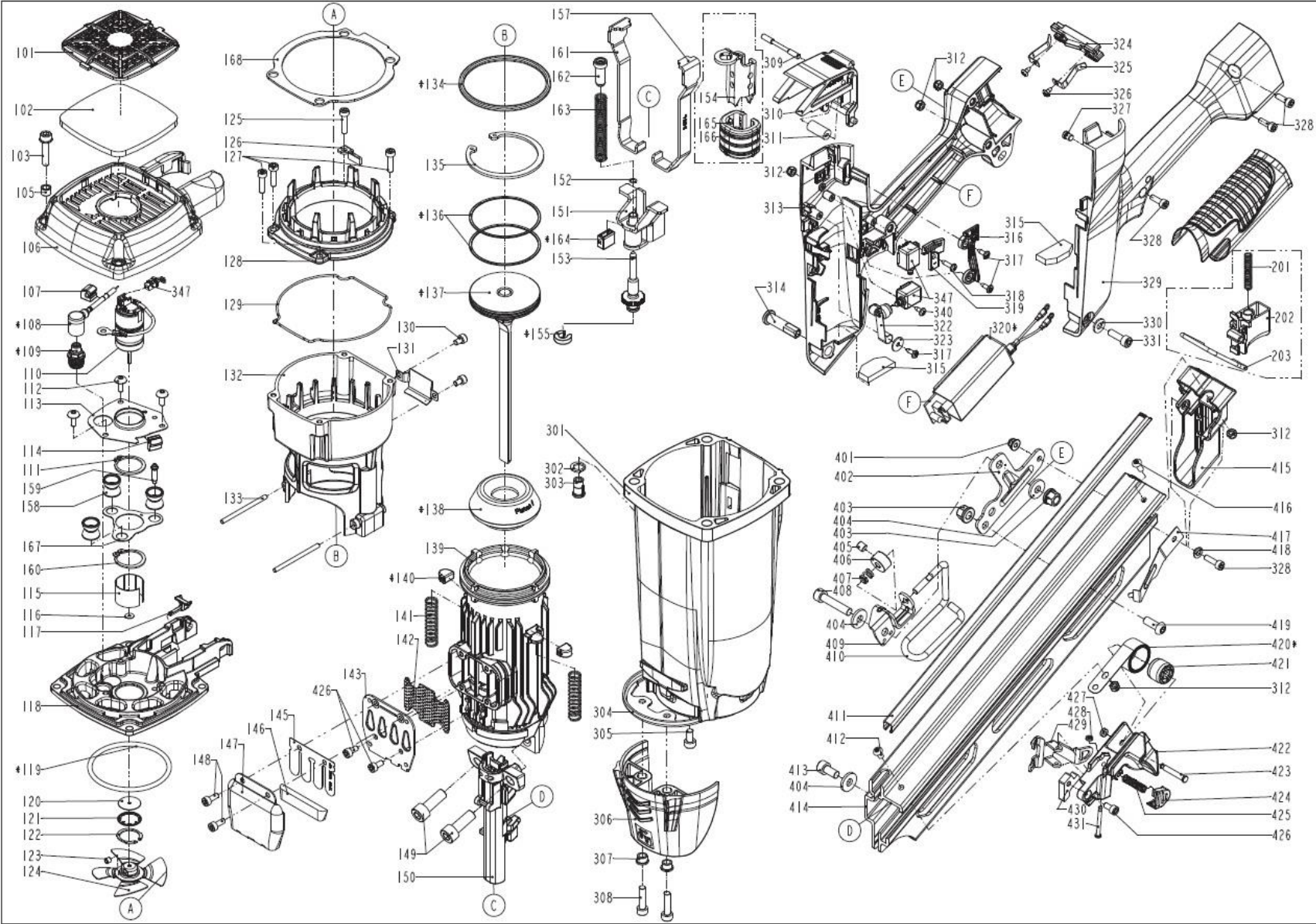


Nail gun ESSVE FNG 34/90 G3



Nail gun ESSVE FNG 34/90 G3

Pos	Art. Nr.	Name	Pos	Art. Nr.	Name	Pos	Art. Nr.	Name	Pos	Art. Nr.	Name
101	10001277	DEFLECTOR	141	10001240	SAFETY SPRING	311	10000992	BUSH-FUEL ACTUATOR	418	10001280	GASKET
102	10001215	FILTER UNIT	142	1139W11500012	EXHAUST MESH PLATE	312	10001055	LOCK NUT	419	10001312	HALF ROUND HD.HEX.BOLT
103	10001307	BOLT W/FLAT WASHER	143	10001299	EXHAUST BAFFLE	313		HANDLE A UNIT	420	1137208300011	SPRING
105	10001274	COLLOR	145	1139X11500012	REED VALVE	314		HANDLE BOLT	421	1138603700021	ROLLING ELEMENT
106	10001260	CAP	146	10001296	CLEANER	315		SPACER	422	10001263	PROTECTING HOOD COVER
107	10001270	RAFT HOOK BRACKET	147	10001300	DEFLECTOR	316	10001231	BRACKET UNIT	423	10001282	ROLL PIN
108		HIGH VOLTAGE CABLE SET	148		HEX.SOC.HD.BOLT	317	10001316	SELF TAPPING BOLT	424	10001157	GLOVE
109	1120D11547011	SPARKLER	149		HEX.SOC.HD.BOLT	318	10001318	SELF TAPPING BOLT	425	10001264	SPRING
110	10001211	MOTOR UNIT	150		NOSE PIECE	319		WIRE GUIDE B	426	10001006	HEX.SOC.HD.BOLT
111	10001030	S - RING	151	10001219	SAFETY B UNIT	320	901139	PCB ASSEMBLY	427	1135H07900011	PU RETAINER
112	10001311	HALF ROUND HD.HEX.BOLT	152	10001323	SELF-LOCKING EXTERNAL NUTS	322	10001212	MOTOR FAN SWITCH LEVER UNIT	428	1131D04600011	URETHANE RETAINER
113	10001228	POSITIONING SHEET	153	10001218	ADJUST AXIE UNIT	323	10001319	FLAT WASHER	429	10001259	PUSHER
114	10001269	GROUND WIRE BRACKET	154	1133111547071	SAFETY A	324	10001268	BATTERY NODE BRACKET	430	10001266	SQUARE UNTS
115	10000990	SLEEVE MOTOR	155	10001225	RING	325	10001304	BATTERY NODE	431	10001223	TRIGGER PIVOT PIN
116	10000960	WASHER-MOTOR SHAFT	157		SAFETY C(LEFT)	326	10001315	TAP BOLT			
117	113A611511013	FUEL STEM ADAPTER	158		FEED BUMPER	327		LED COVER			
118		END CAP-COMBUSTION CHAMBER	159		POSITIONING SHAFT	328	10001009	HEX.SOC.HD.BOLT		901141	Service kit
119	10001326	O - RING	160	10001031	S - RING	329		HANDLE B UNIT		901093	Driver kit
120	10001275	SEAL	161	10001236	SAFETY C(RIGHT)	330		FLAT WASHER		901095	Feeding kit
121	10001230	SEAL PLATE-MOTOR	162	10001291	SAFETY ROD	331	10001388	HEX.SOC.HD.BOLT		901127	Motor unit
122	10001322	IN-CONCENTRIC RING	163	10001241	SAFETY SPRING	340	10001317	SELF TAPPING BOLT		901143	No mark set
123	2040104020105	HEX.SOC.HD.SCREW	164		FEED BUMPER	347	1122B11500011	MOTOR CABLE		901139	Electric unit
124	1120C11500012	COOLING FAN ASSEMBLY	165	901143 (3 pcs)	PROTECTIVE CASING	401	10001324	BOLT CAP		901133	Battery
125	10001309	HEX.SOC.HD.BOLT	166		FIXED RING	402		BRACKET UNIT		901135	Charger+adapter
126	10001253	GUIDE	167	10001247	SPACER	403	10001195	BOLT CAP			
127	10001308	HEX.SOC.HD.BOLT	168	10001248	SPACER	404	10001188	FLAT WASHER			
128		UPPER COMBUSTION CHAMBER	201		SPRING	405		HEX.SOC.HD.SCREW			
129	10001235	PACKING	202	10001221	TRIGGER UNIT	406		POSITIONING AXIS			
130	10001003	HEX.SOC.HD.BOLT	203	10001239	SAFETY	407	10001289	SPRING RETAINER			
131	10001295	WASHER	301		GUN BODY	408		HEX.SOC.HD.BOLT			
132		COMBUSTION CHAMBER	302		WASHER CAP	409		RAFT HOOK BRACKET			
133		PIN	303		CAP NUT	410	10001245	SPRING RETAINER			
134	10001325	O-RING	304		CYLINDER BRACKET	411	10001170	STEEL CHANNEL			
135	10001320	C - RING	305		HEX.SOC.HD.BOLT	412	10001182	HALF ROUND HD.HEX.BOLT			
136	10001252	PISTON RING	306	10001279	SAFETY COVER	413	10001178	HEX.SOC.HD.BOLT			
137	10001205	DRIVER UNIT	307	10001294	WASHER-NOSE COVER	414	10001287	MAGAZINE A			
138	10001234	BUMPER	308	10001310	HEX.SOC.HD.BOLT	415	10001290	PROTECTING HOOD COVER			
139		CYLINDER	309		PIN-FUEL ACTUATOR	416	10001183	HALF ROUND HD.HEX.BOLT			
140	10001250	BUMPER-COMBUSTION CHAMBER	310	10001303	FUEL ACTUATOR	417	10001075	STOP NAIL PLATE			

