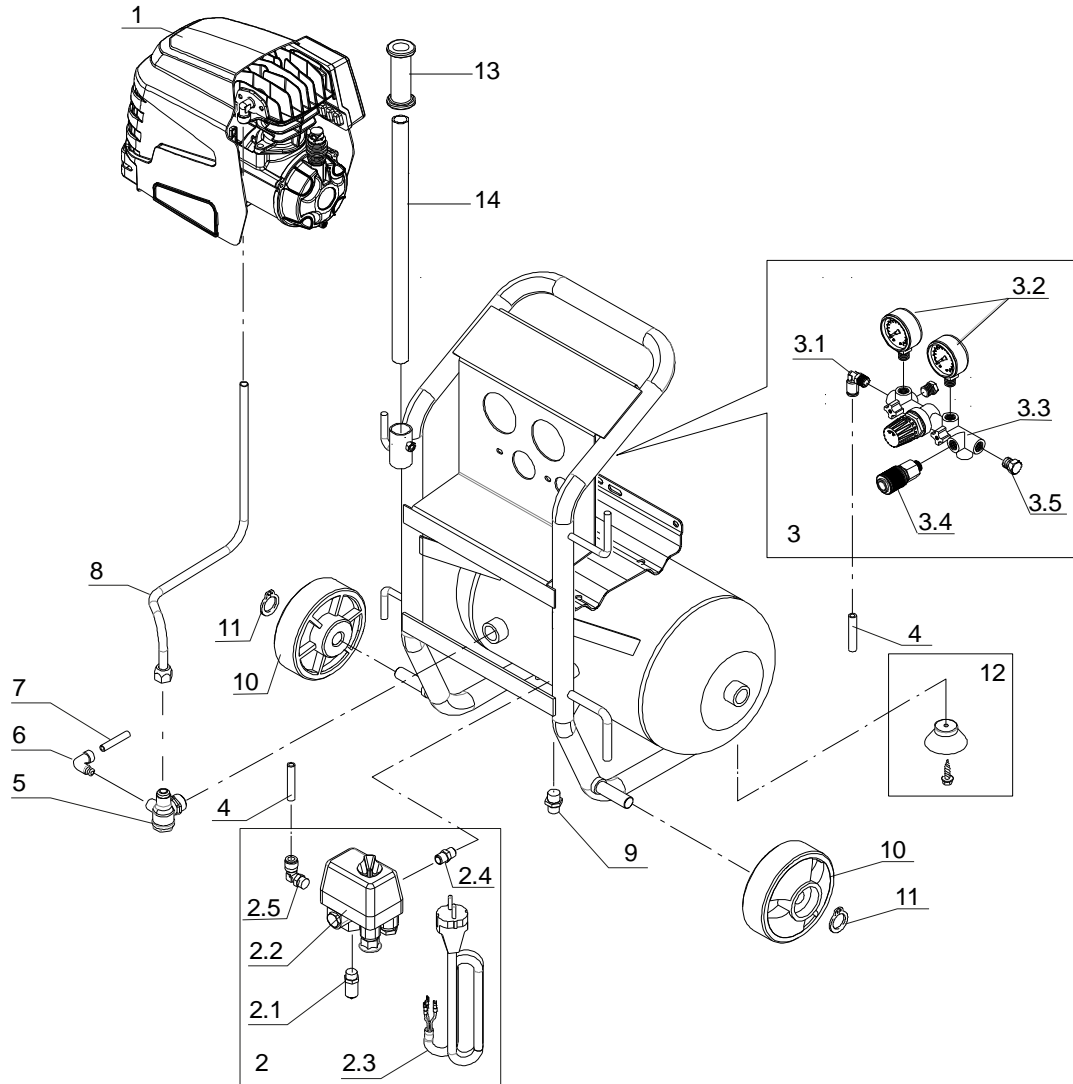


COPRESSOR ESSVE 10/200

SINGLE PHASE V.230/50Hz



REF.	ESSVE item num.: :	QT	DESCRIPTION
1	10001640	1	pump unit
2	10001464	1	pressure switch kit
2.1	10001570	1	safety valve
2.2	10001591	1	pressure switch
2.3	10001598	1	power cable
2.4	10001546	1	nipple
2.5	10001545	2	fitting
3	10001479	1	dashboard kit
3.1	10001545	1	fitting
3.2	10001559	2	pressure gauge
3.3	10001633	1	distributore
3.4	10001562	1	universal tap
3.5	10001553	2	cap
4	10001578	0,5	rilisan tube
5	10001567	1	check valve
6	10001544	1	fitting
7	10001577	0,35	rilisan tube
8	10001581	1	feed tube
9	10001563	1	drain tap
10	10001634	2	wheel
11	10001508	2	ring
12	10001478	2	rubber foot kit
13	10001592	1	handle
14	10001605	1	metal handle

2021-12-16 (REV-00)

VALID FROM 2021-12-16

