



# PRESTANDEDEKLARATION

No: DoP-230184 [SV]

**ESSVE**  
GET IT DONE

Produkttypens unika identifikationskod:

ESSVE Purlin Anchors

Tillverkare :

ESSVE Produkter AB

BOX 7091

164 07 Kista

Sweden

Europeisk teknisk bedömning (ETA)	Avsedd användning
ETA-23/0184 (2023-05-15)	o ETA-23/0185, section 2

Europeisk teknisk bedömning (ETA)	System för bedömning och fortlöpande kontroll av prestanda (AVCP)	Europeiskt bedömningsdokument	Tekniskt bedömningsorgan (TAB)
ETA-23/0184 (2023-05-15)	2+	EAD 130186-00-0603, (2018-07)	Eurofins Expert Services Oy

Europeisk teknisk bedömning (ETA)	Avsedd användning	Väsentliga egenskaper
ETA-23/0185 (2023-05-15)	Joint strength	Clause 3.1
	Joint stiffness	No performance assessed
	Joint ductility	No performance assessed
	Resistance to seismic actions	No performance assessed
	Resistance to corrosion and deterioration	Clause 3.1
	Reaction to fire	Class A1



## PRESTANDEDEKLARATION

No: DoP-230184 [SV]

**ESSVE**  
GET IT DONE

Prestandan för ovanstående produkt överensstämmer med den angivna prestandan. Denna prestandadeklaration har utfärdats i enlighet med förordning (EU) nr 305/2011 på eget ansvar av den tillverkare som anges ovan.

Undertecknat på tillverkarens vägnar av:

*Dyar Jamil*

Dyar Jamil

Technical expert Wood fasteners

Kista 2023-07-03

[ETA attached as an appendix]



# European Technical Assessment **ETA 23/0184** of 15/05/2023

## I General Part

<b>Technical Assessment Body issuing the ETA</b>	Eurofins Expert Services Oy
<b>Trade name of the construction product</b>	ESSVE Purlin Anchors
<b>Product family to which the construction product belongs</b>	Three-dimensional nailing plates
<b>Manufacturer</b>	<b>ESSVE Produkter AB</b> Esbogatan 14 SE-164 74 Kista Sweden  <a href="http://www.essve.com">www.essve.com</a>
<b>Manufacturing plant</b>	ESSVE Manufacturing Plant no. 926 (Annex N)
<b>This European Technical Assessment contains</b>	21 pages including 2 Annexes which form an integral part of this assessment. Separate Annex N
<b>This European Technical Assessment is issued in accordance with regulation (EU) No 305/2011, on the basis of</b>	EAD 130186-00-0603 for Three-dimensional nailing plates

Translations of this European Technical Assessment in other languages shall fully correspond to the original issued document and should be identified as such.

Communication of this European Technical Assessment, including transmission by electronic means, shall be in full excepted the confidential Annex(es) referred to above. However, partial reproduction may be made, with the written consent of the issuing Technical Assessment Body. Any partial reproduction has to be identified as such.

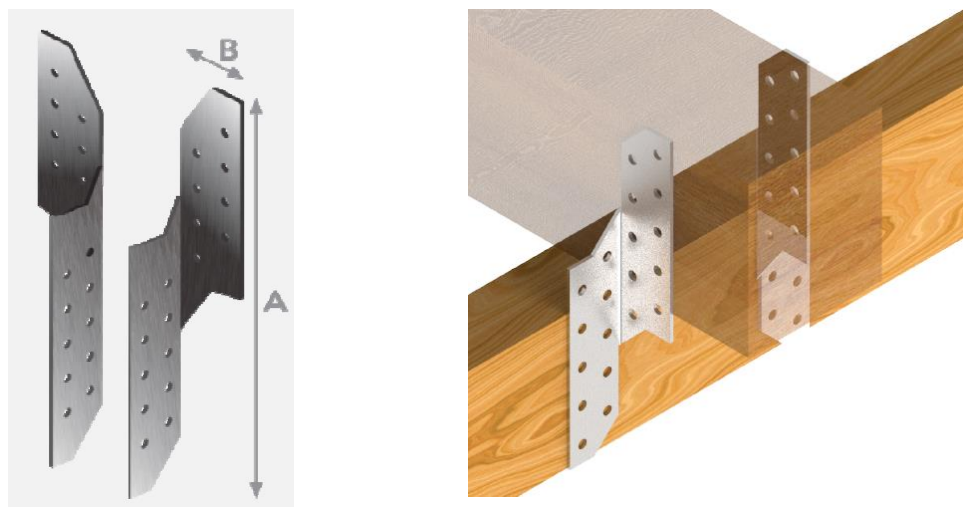
This European Technical Assessment may be withdrawn by the issuing Technical Assessment Body, pursuant to information by the Commission according to Article 25 Paragraph 3 of Regulation (EU) No 305/2011.

## II Specific Part

### 1 Technical description of the product

ESSVE Purlin Anchors (type: 452200, 452202, 452204, 452206, 452208, 452210, 452212, 452214, 452216, 452218, 452220 and 452222) are one piece, non-welded, face-fixed purlin anchors to be used in timber to timber connections. The type of the connector and the typical use of the purlin anchors are shown in Figure 1. The purlin anchors are connected to the timber members by anchor nails or screws.

ESSVE Purlin Anchors are made from pre-galvanized steel DX51D+Z275 or S250GD+275Z according to EN 10346:2015 with minimum yield strength  $R_{eL}$  or  $R_{p0.2}$  of 250 N/mm<sup>2</sup> and minimum tensile strength  $R_m$  of 330 N/mm<sup>2</sup>. Dimensions and hole position of the connectors are shown in Annex 1. The purlin anchors are made from steel with tolerances according to EN 10143.



**Figure 1.** Types of right and left hand purlin anchors and the typical use of connectors.

### 2 Specification of the intended uses in accordance with the applicable EAD

#### 2.1 Intended uses

The purlin anchors are intended for use in making connections in load bearing timber structures, as a connection between a beam and a purlin, where requirements for mechanical resistance and stability and safety in use shall fulfilled.

Two same sizes of connectors with the same number of fasteners are always used symmetrically at both sides of the purlin (see Figure 1).

The ESSVE Purlin Anchors are used as a purlin to beam or purlin to column connection subjected to a tension load parallel to the length direction of the connector (see Annex 2). The Purlin Anchors are not assumed to have any load-carrying capacity for lateral forces perpendicular to the length direction of the connector.

The static and kinematic behaviour of the timber members or the supports shall be as described in Annex 2. The wood members can be solid timber according to EN 14081, glued laminated timber according to EN 14081 or LVL (Laminated Veneer Lumber) according to EN 14374. The characteristic density  $\rho_k$  of the timber shall not be greater than 500 kg/m<sup>3</sup>. Timber parts are not pre-bored for the fasteners. Nails and screws shall be inserted perpendicular to the grain direction of wood. Purlin anchors shall not be fixed to the edge face of a LVL member.

The ESSVE Purlin Anchors shall be fixed by anchor nails or screws according to EN 14592 (see Figure 2). The diameter of the anchor nails  $d$  shall be 4,0 mm and the profiled length shall be at least 24 mm. The diameter of the smooth part of the anchor screws  $d$  shall be 4,5...5,0 mm and the inner diameter of the threaded part  $d_s \geq 3,0$  mm. The length of the threaded part of the screw shall be at least  $6d$ .



**Figure 2.** Fasteners: a) anchor nail and b) anchor screw.

The design of the connections shall be in accordance with Eurocode 5. The timber members shall have a thickness which is larger than the penetration depth of fasteners into members.

The purlin anchors are intended for use for connections subject to static and quasi-static loading.

The purlin anchors are for use in timber structures subject to the dry, internal conditions defined by the service classes 1 and 2 of EN 1995-1-1.

## 2.2 Working life

The provisions made in this European Technical Assessment are based on an assumed intended working life of the purlin anchors of 50 years.<sup>1</sup>

## 2.3 Identification

ESSVE Purlin Anchors are identified by ESSVE packaging and ESSVE barcode stickers.

---

<sup>1</sup> This means that it is expected that when this working life has elapsed, the real working life may be, in normal use conditions, considerably longer without major degradation affecting the essential requirements of the works. The indications given as to the working life of a product cannot be interpreted as a guarantee given by the producer or the assessment body. They should only be regarded as a means for the specifiers to choose the appropriate criteria for products in relation to the expected, economically reasonable working life of the works.

### 3 Performance of the product and references to the methods used for its assessment

**Table 1.** Handling of basic requirements for construction works

Basic requirement and essential characteristics	Performance
<b>BWR 1. Mechanical resistance and stability</b>	
Joint strength	Clause 3.1
Joint stiffness	No performance assessed
Joint ductility	No performance assessed
Resistance to seismic actions	No performance assessed
Resistance to corrosion and deterioration	Clause 3.1
<b>BWR 2. Safety in case of fire</b>	
Reaction to fire	Clause 3.2
Resistance to fire	No performance assessed

#### 3.1 Mechanical resistance and stability, BWR 1

##### 3.1.1 Joint strength

Characteristic resistance values of ESSVE Purlin Anchors are given in Annex 2.

##### 3.1.2 Resistance to corrosion and deterioration

ESSVE Purlin Anchors have been assessed as having satisfactory durability and serviceability when used in timber structures when the timber species (including timbers preserved with organic solvent, boron diffusion and related preservatives) described in Eurocode 5 (EN 1995-1-1: 2004) are used and the structures are subject to the dry, internal conditions defined by service classes 1 and 2.

#### 3.2 Safety in case of fire, BWR 2

##### 3.2.1 Reaction to fire

ESSVE Purlin Anchors are made of materials classified to have reaction to fire class A1 according to EN 13501-1.

**4 Assessment and verification of constancy of performance (hereinafter AVCP) system applied, with reference to its legal base**

According to the Decision 97/638/EC of the European Commission<sup>2</sup>, the system of assessment and verification of constancy of performance (see Annex V to the regulation (EU) No 305/2011) is System 2+.

**5 Technical details necessary for the implementation of the AVCP system, as provided for in the applicable EAD**

Technical details necessary for the implementation of the AVCP system are laid down in the control plan deposited at Eurofins Expert Services Oy prior to CE marking.

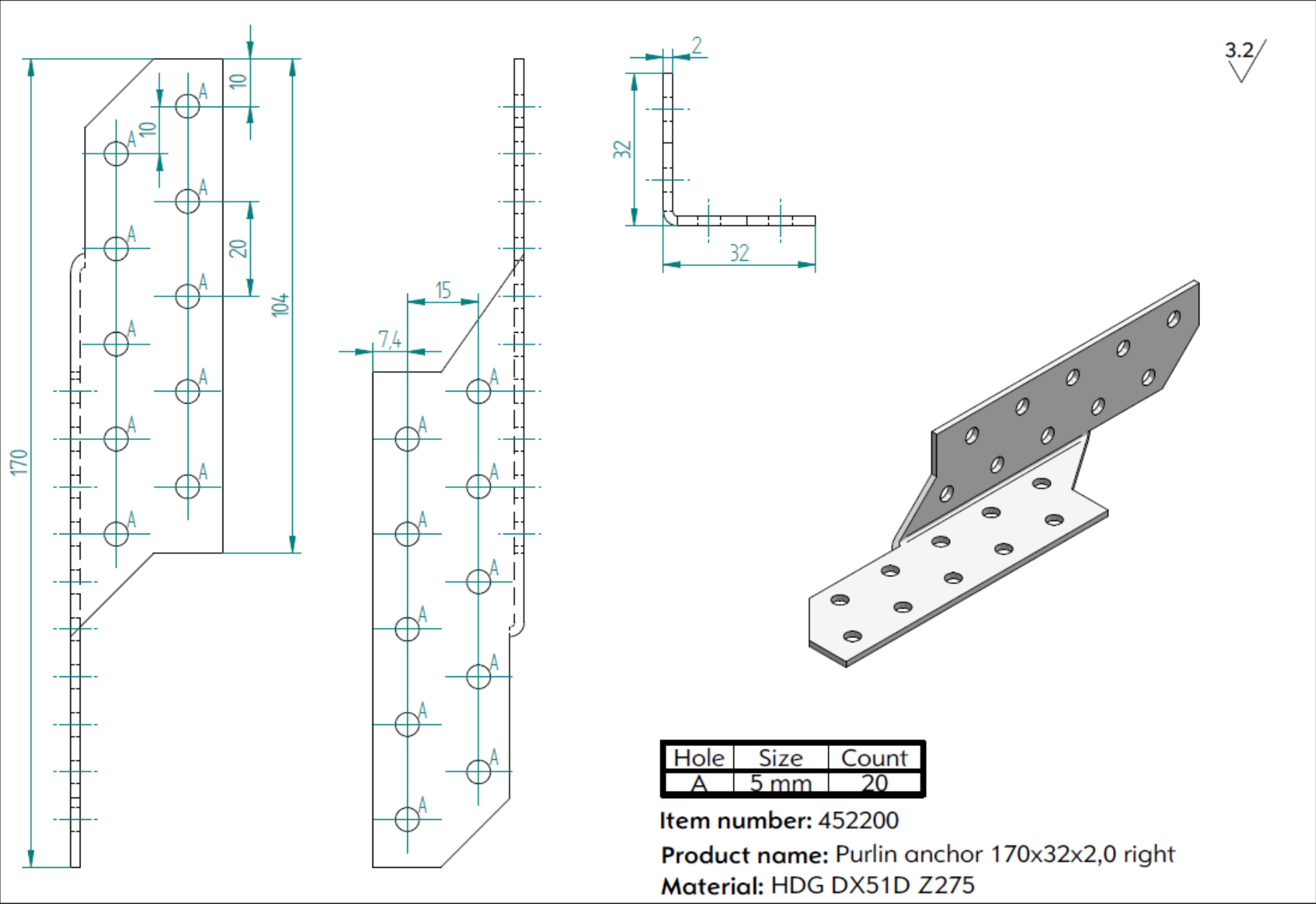
Issued in Espoo on May 15, 2023  
by Eurofins Expert Services Oy

Katja Vahtikari  
Manager, Construction Certification

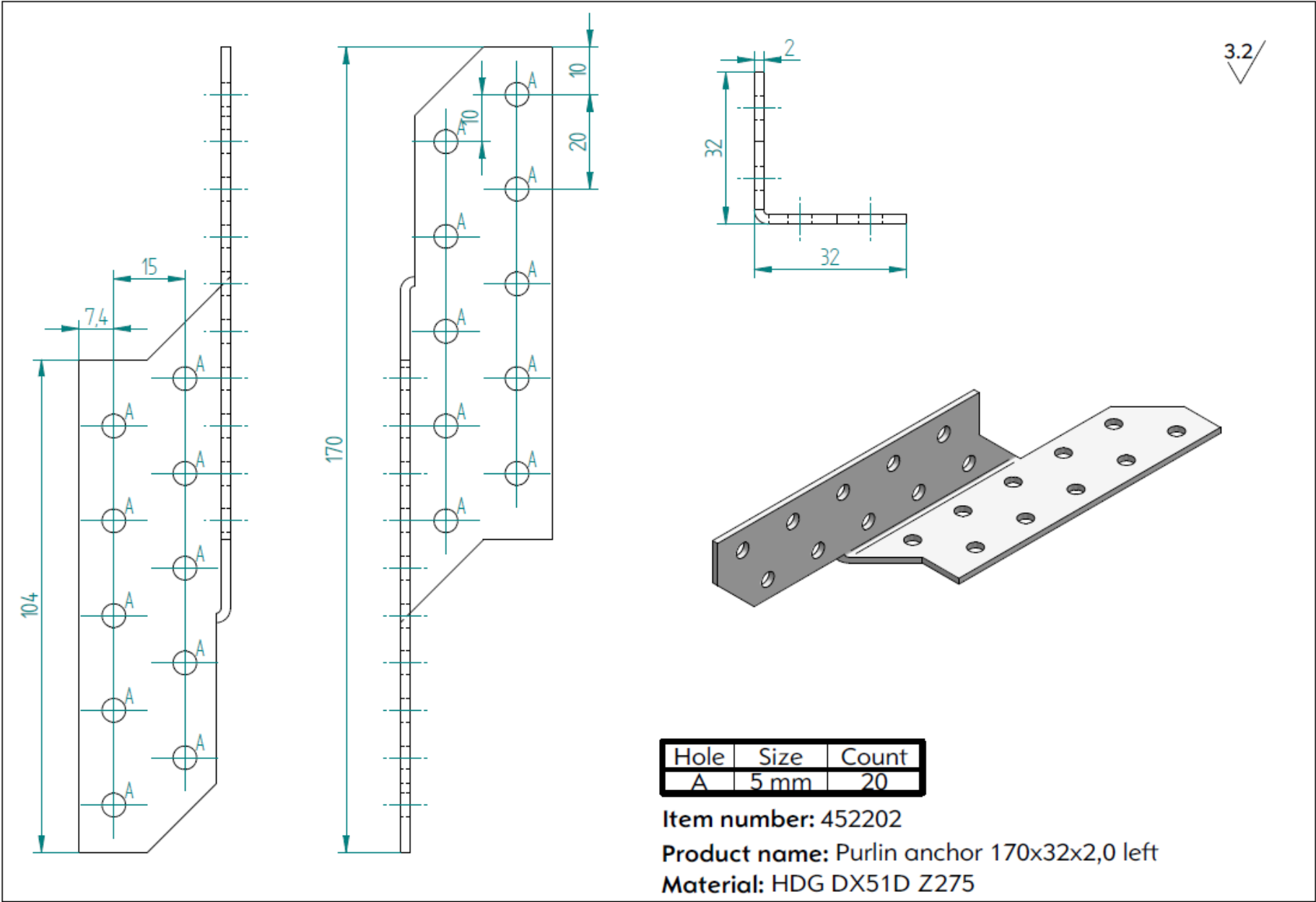
Saija Korpijaakko  
Expert, Construction Certification

---

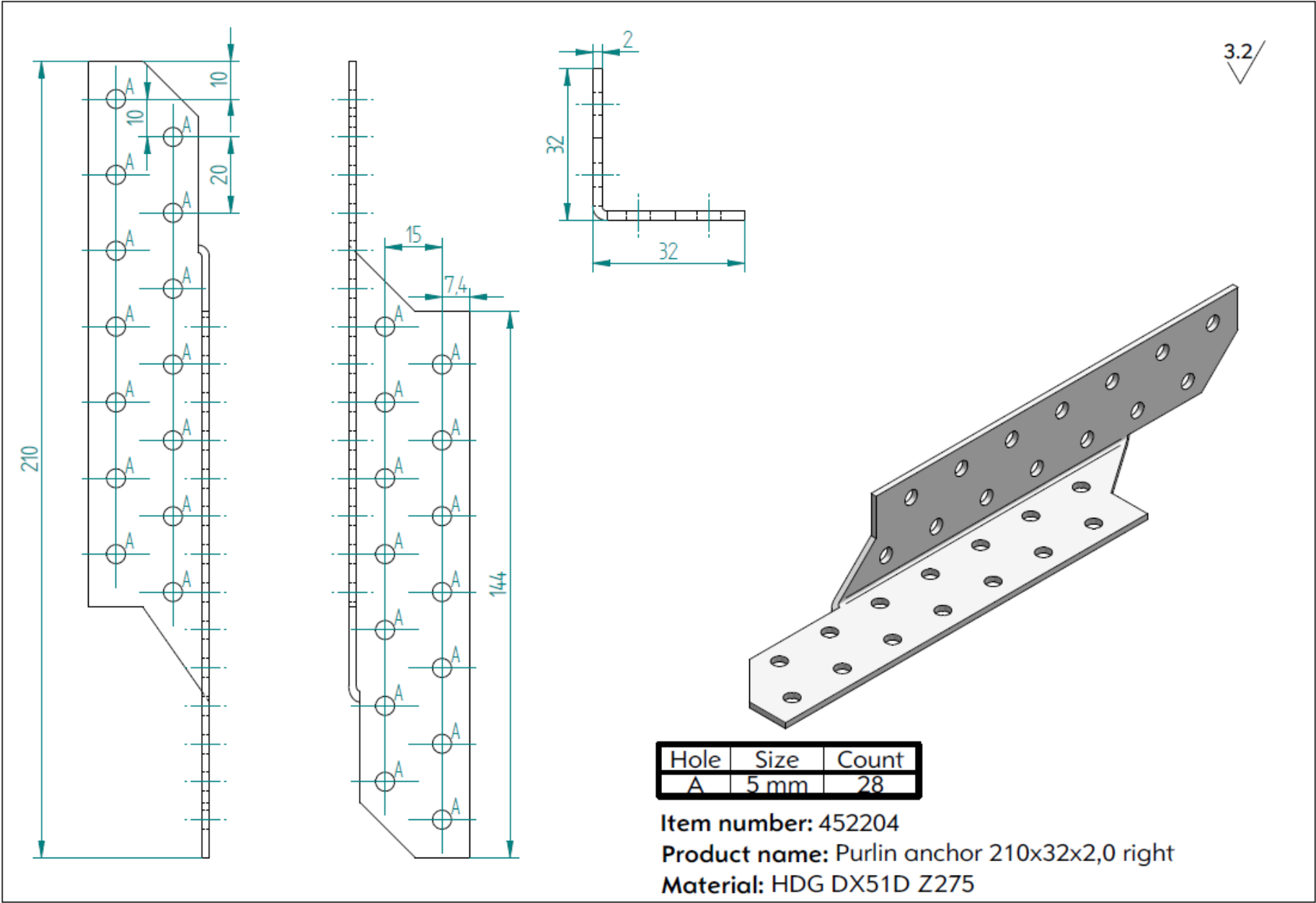
<sup>2</sup> Official Journal of the European Communities L 268 of 1/10/1997

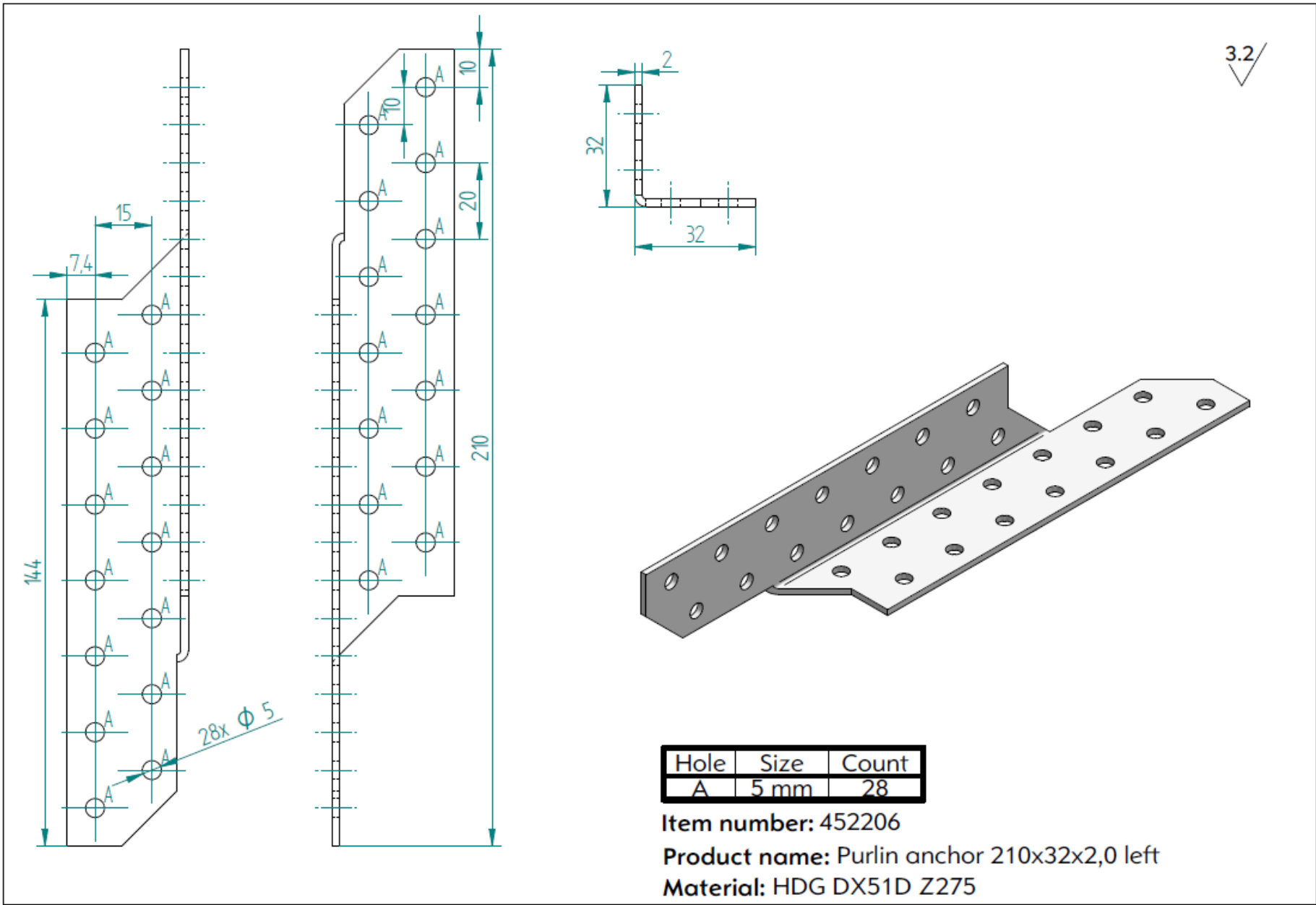


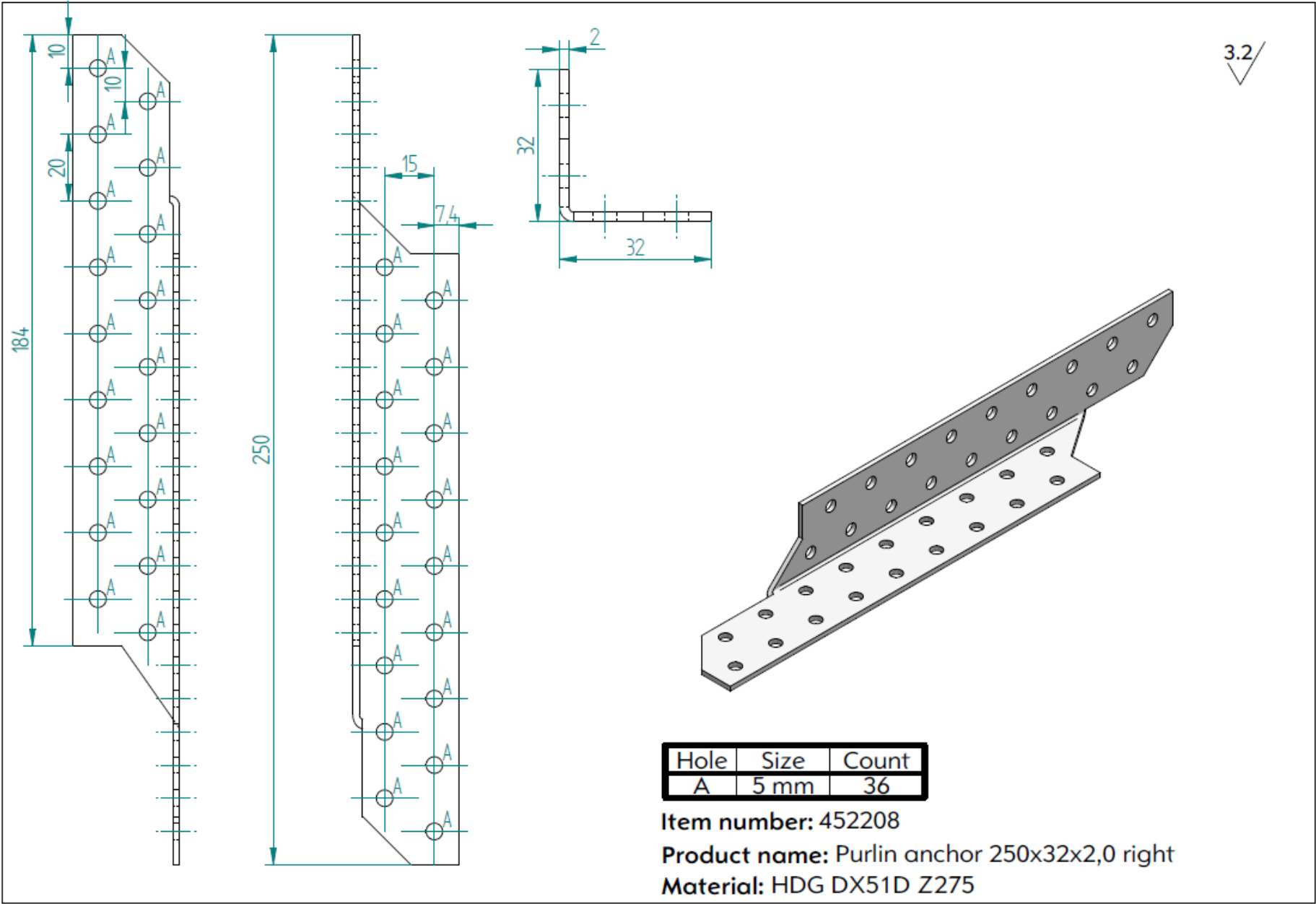


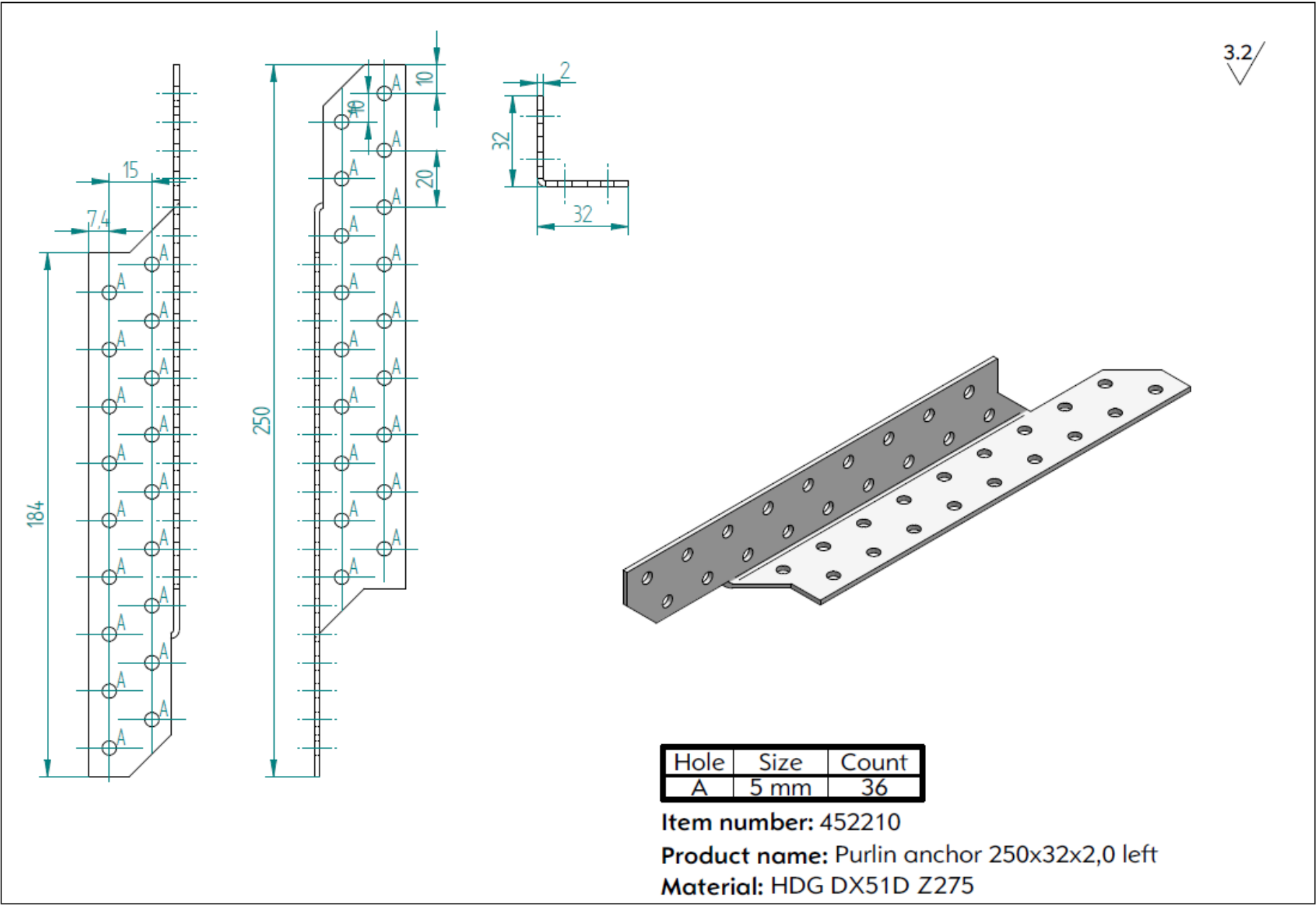


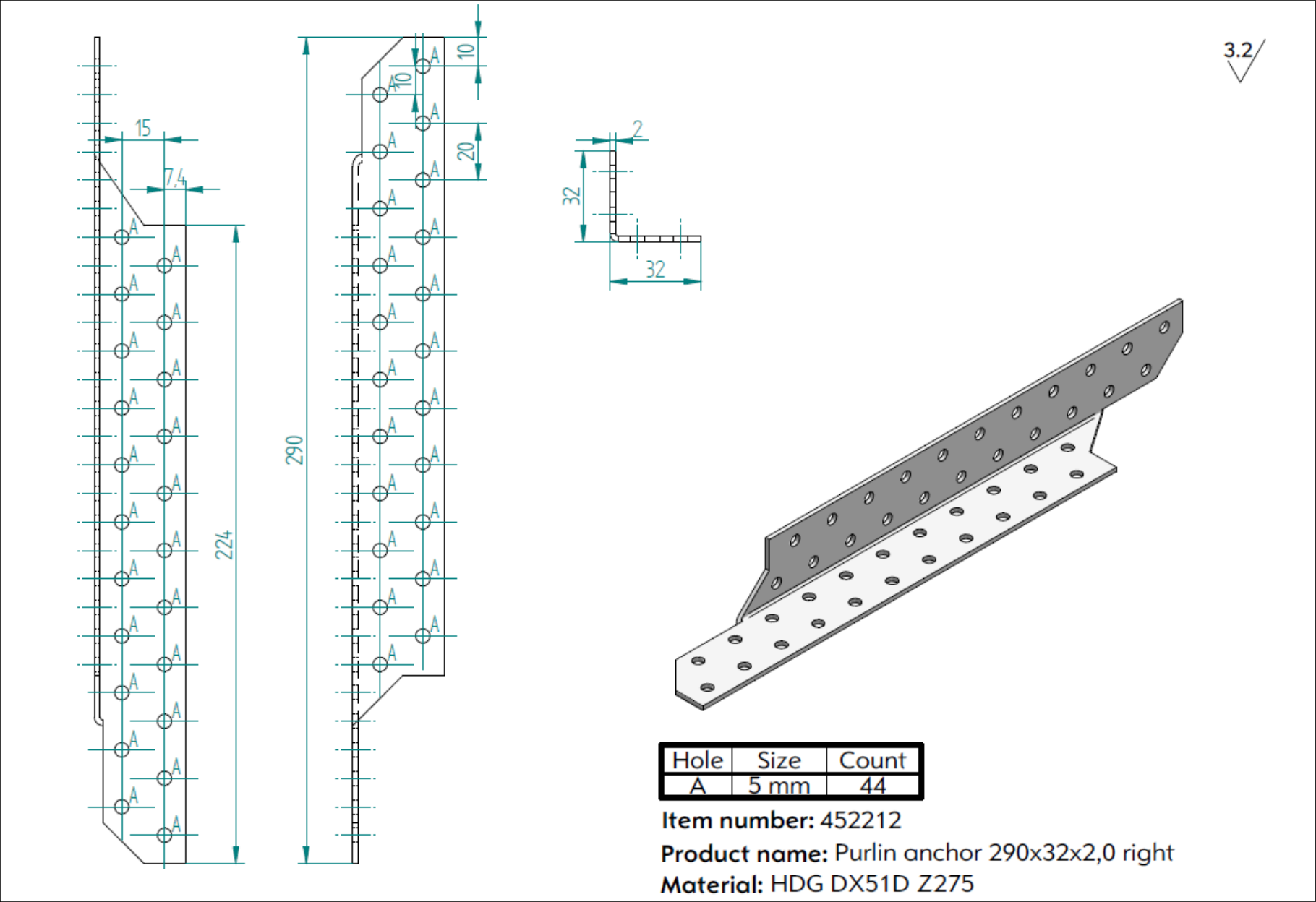
3.2

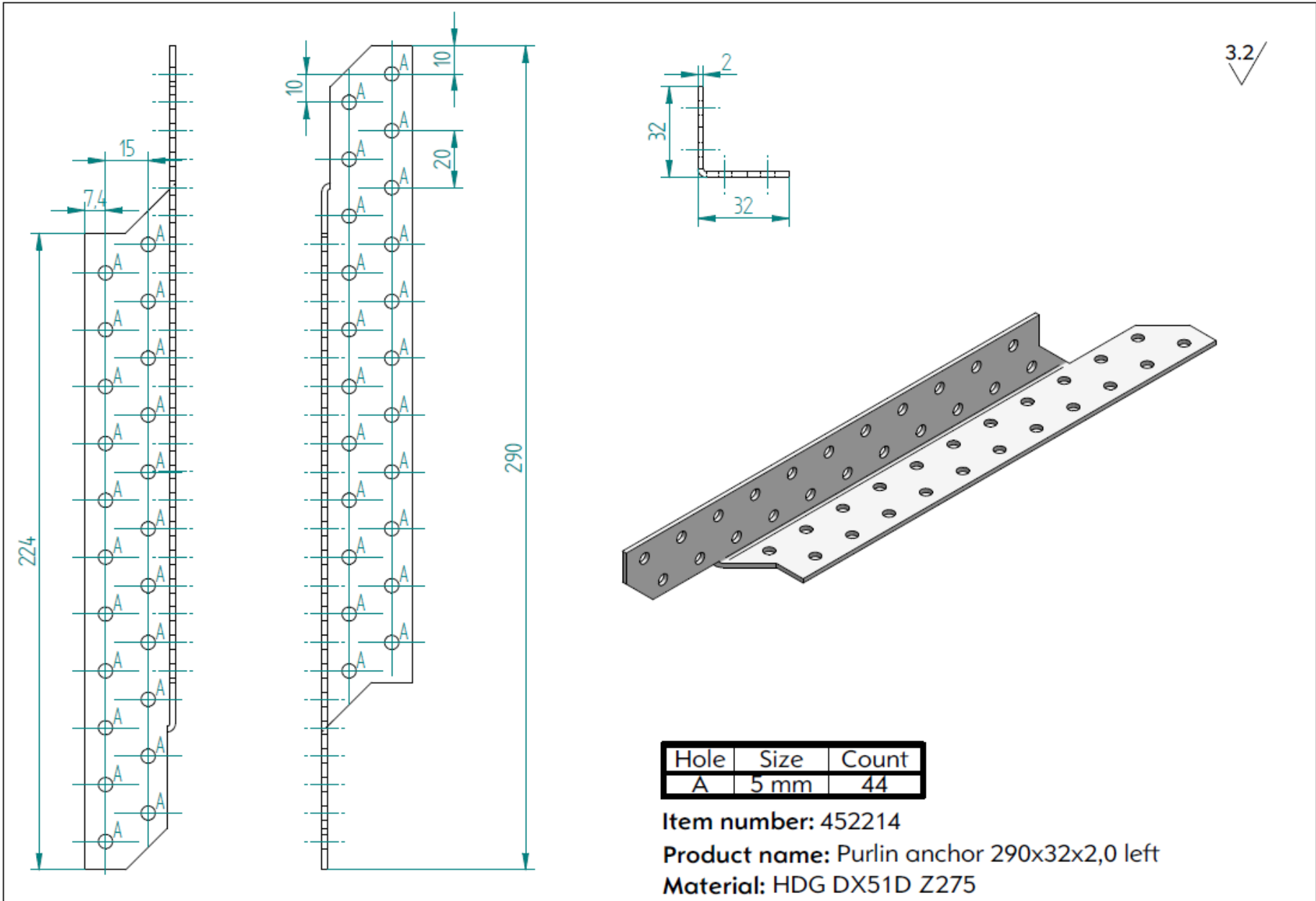


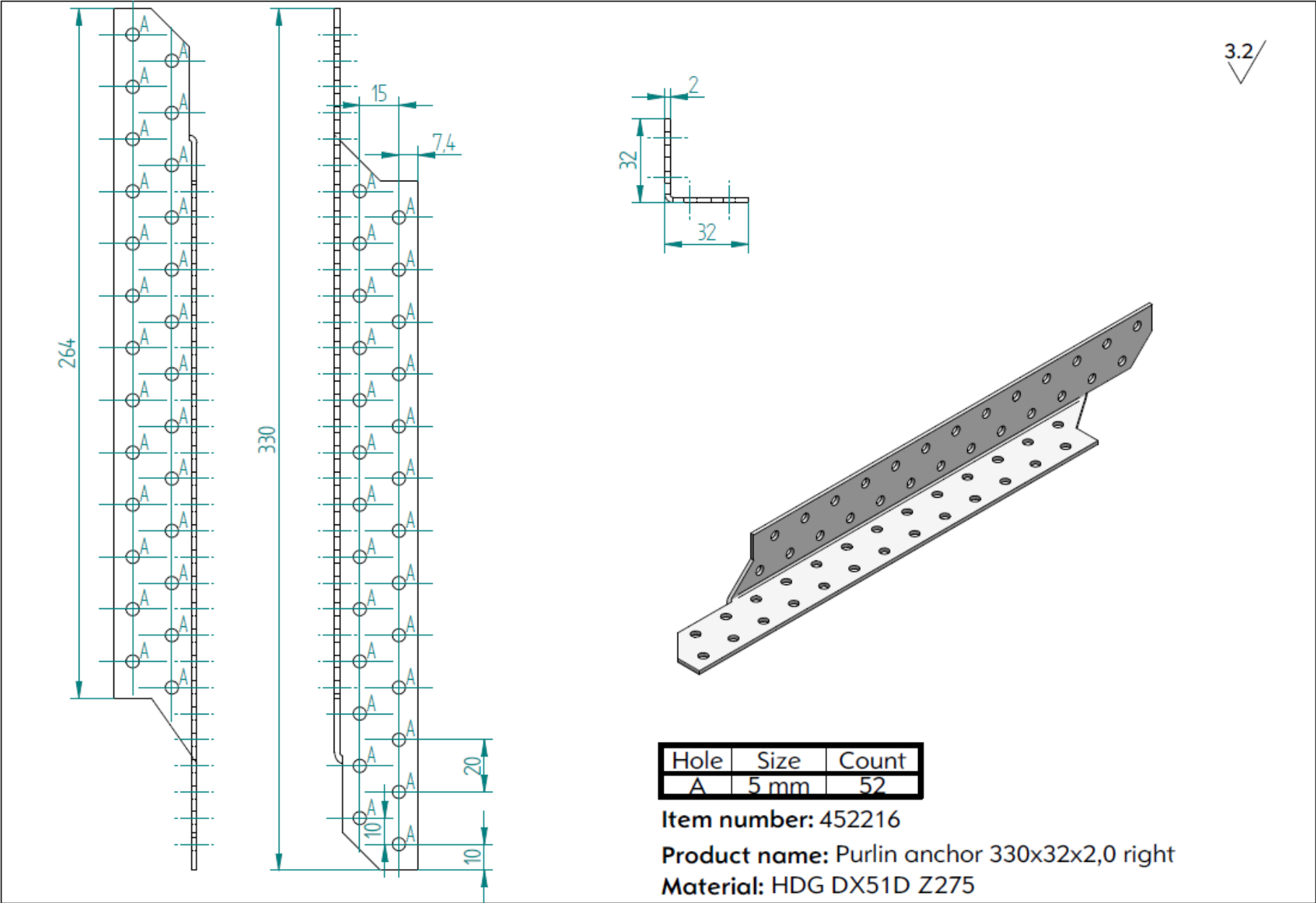




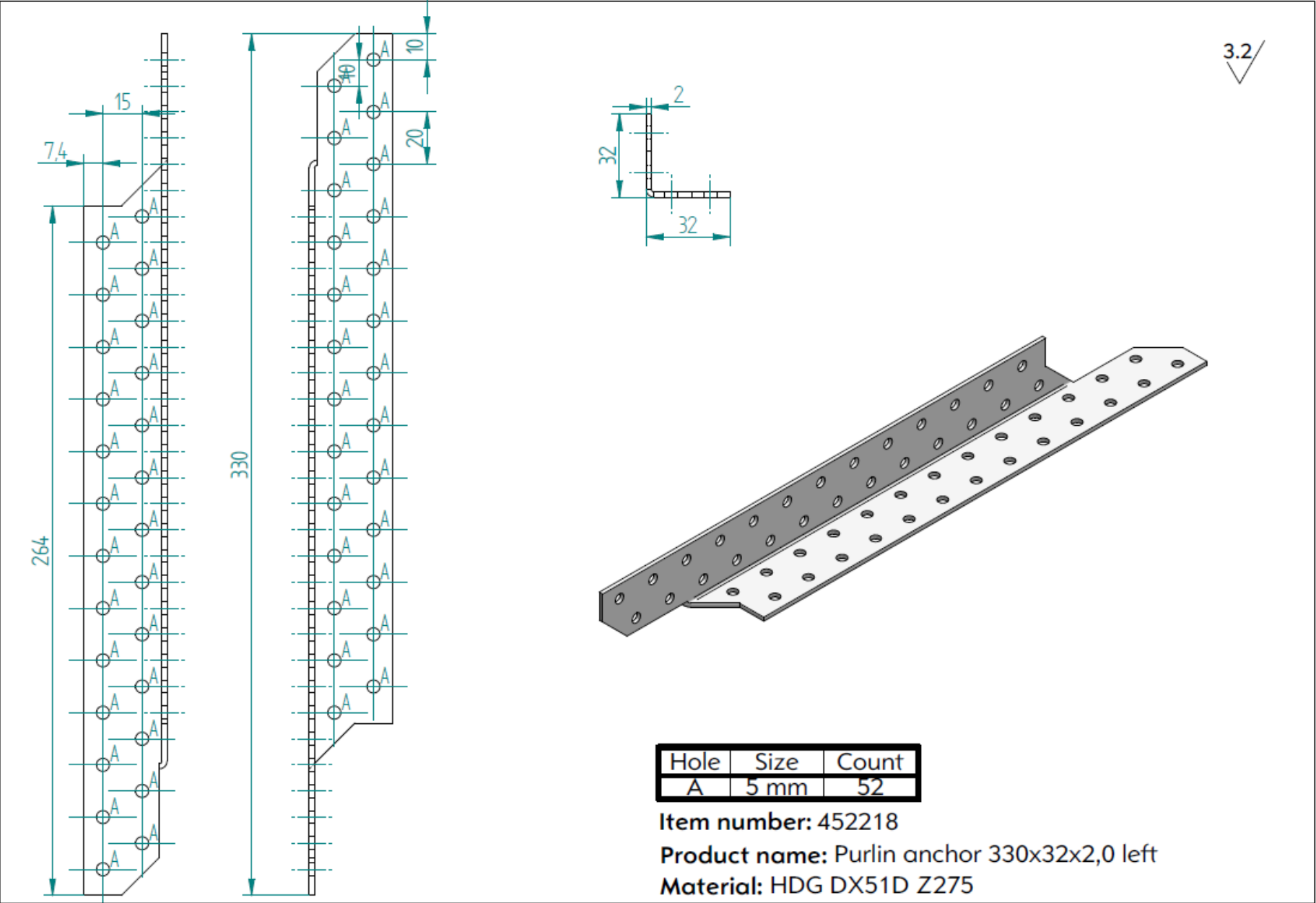


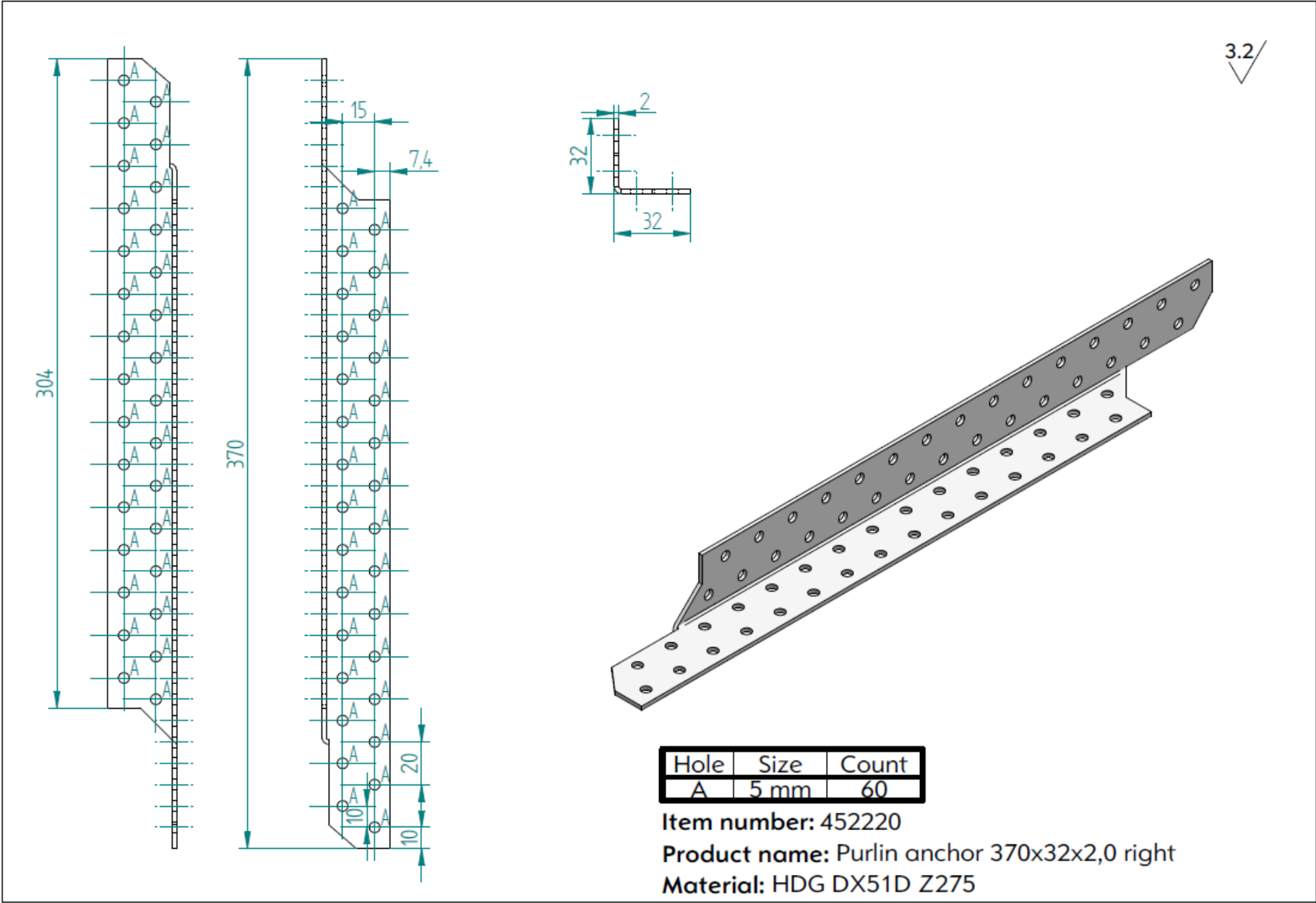


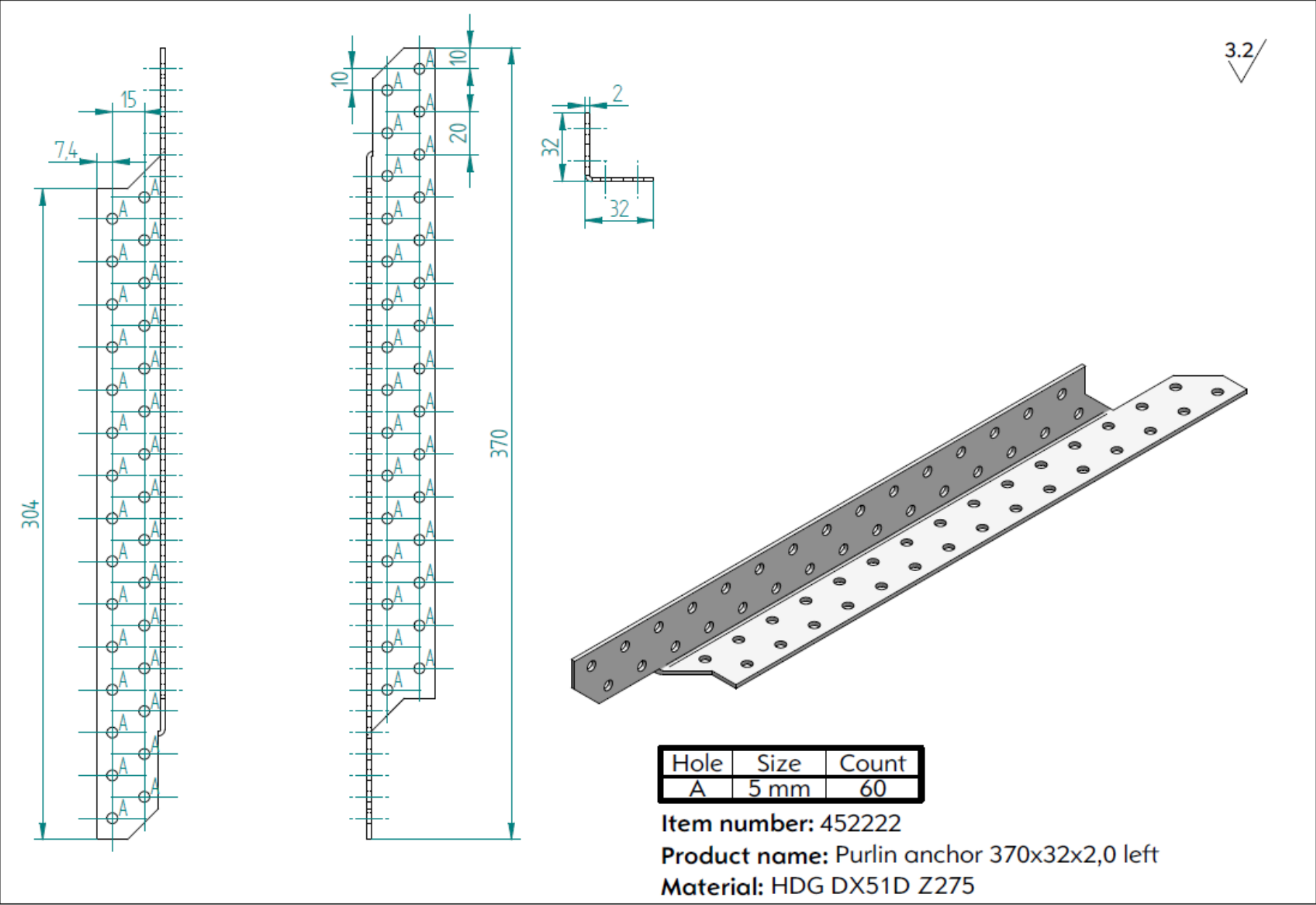












3.2

## ANNEX 2. CHARACTERISTIC LOAD-CARRYING CAPACITIES

### Characteristic resistances for ESSVE Purlin Anchors - calculation method

#### Lateral load-carrying capacity of fastener

The characteristic load-carrying capacity for nails and screws in ESSVE Purlin Anchor connections per fastener should be taken as the minimum value found from the following expressions:

- for a thick fastener  $d \geq 4$  mm:

$$F_{v,Rk} = \min \begin{cases} 0,4f_{h,k}t_1d & \text{(a)} \\ 1,15\sqrt{2M_{y,Rk}f_{h,k}d} + \frac{F_{ax,Rk}}{4} & \text{(b)} \end{cases} \quad (1)$$

- for a thin fastener  $d \leq 2$  mm:

$$F_{v,Rk} = \min \begin{cases} f_{h,k}t_1d & \text{(a)} \\ f_{h,k}t_1d \left[ \sqrt{2 + \frac{4M_{y,Rk}}{f_{h,k}d t_1^2}} - 1 \right] + \frac{F_{ax,Rk}}{4} & \text{(b)} \\ 2,3\sqrt{M_{y,Rk}f_{h,k}d} + \frac{F_{ax,Rk}}{4} & \text{(c)} \end{cases} \quad (2)$$

- for a fastener  $2 \text{ mm} < d < 4 \text{ mm}$ , linear interpolation between equations (1) and (2) is used.

In equations (1) and (2) the penetration length of fastener in timber  $t_1 = L - t$ , when  $L$  is the length of fastener and  $t$  is the thickness of steel plate,  $d$  is the nominal diameter of nail or the effective diameter of screw  $= 1,1\bar{d}$ , when  $\bar{d}$  is the inner diameter of threaded part of screw,  $M_{y,k}$  is the characteristic yield moment of the fastener determined according to standards EN 14952 and EN 409,  $F_{ax,k}$  is the characteristic withdrawal capacity of the fastener with a limitation of term  $F_{ax,k}/4$  at maximum to 1/3 with nails and to 1/2 with screws from the load-carrying capacity  $F_{v,Rk}$  and the characteristic embedding strength

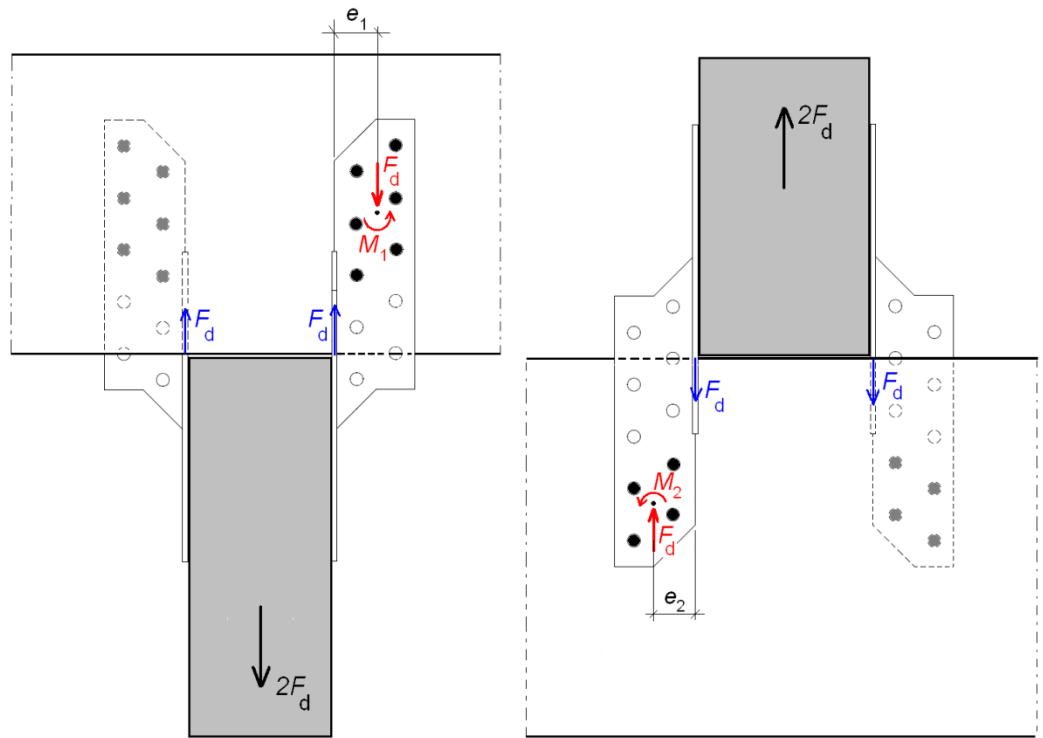
$$f_{h,k} = 0,082\rho_k d^{-0,3} \quad \text{N/mm}^2 \quad (3)$$

where  $\rho_k$  is the characteristic density of timber.

The capacity according to equation (2) may be used for anchor nails of diameter 4,0 mm provided, that it has a cone head with minimum conical part length of 4 mm and the minimum cone diameter of 5,2 mm at the head of nail.

#### Load-carrying capacity of Purlin Anchor connection

The Purlin Anchors are used as a purlin to beam or a purlin to column connection subjected to a tension load  $F_d$  parallel to the length direction of the connector (see Figure A.2.1). The Purlin Anchors are not assumed to have any load-carrying capacity for lateral forces perpendicular to the length direction of the connector. Two same sizes of connectors with the same number of fasteners are always used symmetrically at both sides of the beam for that a pure tension force would act on the plane of the flange of the connector without any eccentricity.



**Figure A.2.1** Use of Purlin Anchors as tension connectors and the forces and moments acting in the Purlin Anchor.

The characteristic load-carrying capacity per purlin anchor should be taken as follows:

- for failure in steel:

$$F_{Rk,S} = 3,66 \text{ kN} \quad (4)$$

- for failure in nailed or screwed timber-to-steel connection:

$$F_{Rk,H} = \min \left\{ \begin{array}{l} \frac{F_{v,Rk,1}}{\frac{1}{n_1} + \frac{e_1}{\sum_{i=1}^{n_1} r_{i,1}}} \\ \frac{F_{v,Rk,2}}{\frac{1}{n_2} + \frac{e_2}{\sum_{i=1}^{n_2} r_{i,2}}} \end{array} \right. \quad (5)$$

where:

$F_{v,Rk,j}$  is the characteristic lateral load-carrying resistance of the fastener in the timber member of flange  $j = 1$  or  $2$  calculated according to expressions (1) and (2);

$e_j$  is the eccentricity of the fastener group from the line of bent edge in the flange  $j = 1$  or  $2$  (see Figure A.2.1);

$r_{i,j}$  is the distance of fastener  $i$  from the centroid of the fastener group in flange  $j$ ;

$n_j$  is the number of fasteners in flange  $j = 1$  or  $2$ .

Values of  $e_j$  and  $\sum r_{i,j}$  for the certain number of fasteners  $n_1$  and  $n_2$  are presented in Table A.2.1, when the fasteners are inserted to the all holes from the ends of the connector (see Figure A.2.1).

**Table A.2.1** Purlin Anchors – article numbers and nominal dimensions. Presented eccentricities  $e_j$  and moments arms  $\Sigma n_{i,j}$  are valid for the given number of fasteners  $n_j$ .

Item number	size (mm)	$e_1$ (mm)	$e_2$ (mm)	$n_1$	$n_2$	$\Sigma n_{i,1}$ (mm)	$\Sigma n_{i,2}$ (mm)
452200	170x32x2,0	16,1	16,1	6	4	103,8	51,6
452202	170x32x2,0	16,1	16,1	6	4	103,8	51,6
452204	210x32x2,0	16,1	16,1	8	6	175,4	103,8
452206	210x32x2,0	16,1	16,1	8	6	175,4	103,8
452208	250x32x2,0	16,1	16,1	10	8	266,6	175,4
452210	250x32x2,0	16,1	16,1	10	8	266,6	175,4
452212	290x32x2,0	16,1	16,1	12	10	377,6	266,6
452214	290x32x2,0	16,1	16,1	12	10	377,6	266,6
452216	330x32x2,0	16,1	16,1	14	12	508,5	377,6
452218	330x32x2,0	16,1	16,1	14	12	508,5	377,6
452220	370x32x2,0	16,1	16,1	16	14	659,2	508,5
452222	370x32x2,0	16,1	16,1	16	14	659,2	508,5

### **Design condition**

The following design condition shall be satisfied:

$$F_d \leq \min \left\{ \begin{array}{l} k_{\text{mod}} \cdot F_{\text{Rk,H}} \\ \gamma_M \\ F_{\text{Rk,S}} \\ \gamma_{M0} \end{array} \right. \quad (6)$$

where

- $F_d$  is the design tension force per connector according to Figure A.2.1;
- $k_{\text{mod}}$  is the modification factor according to Eurocode 5 taking into account the effect of the duration of the load and moisture content for the timber member;
- $\gamma_M$  is the partial safety factor for the resistance of connections according to the actual National annex of EN 1995-1-1;
- $F_{\text{Rk,H}}$  is the characteristic load-carrying capacity of the connector according to the expression (5);
- $\gamma_{M0}$  is the partial safety factor for the resistance of steel cross-section according to the actual National annex of EN 1993-1-1;
- $F_{\text{Rk,S}}$  is the characteristic load-carrying capacity of connector according to the expression (4).

### **Structural requirements**

The following provisions apply:

- The nailing pattern may be determined by case by case. However, at least two fasteners shall be used in both flanges of the connector.
- All minimum spacings and edge/end distances in accordance with Eurocode 5 shall be complied with.
- The splitting resistance of the timber members shall be verified according to Eurocode 5.
- The cross section of the connected timber members shall have a plane surface without wane against the purling anchor.

- There are no specific requirements relating to preparation of the timber members.
- In service class 2, the nails and screws shall have an electroplated zinc coating according to EN ISO 2081 at least of type and thickness Fe/Zn 12 c, or they shall be hot dip zinc coated according to EN ISO 1461, thickness at least 39 µm.
- The purlin anchors shall not be used without adequate protection for connections where resistance to fire is required.