

Approval body for construction products
and types of construction

Bautechnisches Prüfamt

An institution established by the Federal and
Laender Governments



European Technical Assessment

ETA-17/0566
of 10 August 2017

English translation prepared by DIBt - Original version in German language

General Part

Technical Assessment Body issuing the
European Technical Assessment:

Deutsches Institut für Bautechnik

Trade name of the construction product

Wedge anchor ESSVE EST1 and EST1-IG

Product family
to which the construction product belongs

Torque controlled expansion anchor
for use in concrete

Manufacturer

ESSVE Produkter AB
Esbogatan 14
164 74 KISTA
SCHWEDEN

Manufacturing plant

Production plant no. 516

This European Technical Assessment
contains

35 pages including 3 annexes which form an integral part
of this assessment

This European Technical Assessment is
issued in accordance with Regulation (EU)
No 305/2011, on the basis of

European Assessment Document (EAD)
330232-00-0601

The European Technical Assessment is issued by the Technical Assessment Body in its official language. Translations of this European Technical Assessment in other languages shall fully correspond to the original issued document and shall be identified as such.

Communication of this European Technical Assessment, including transmission by electronic means, shall be in full. However, partial reproduction may only be made with the written consent of the issuing Technical Assessment Body. Any partial reproduction shall be identified as such.

This European Technical Assessment may be withdrawn by the issuing Technical Assessment Body, in particular pursuant to information by the Commission in accordance with Article 25(3) of Regulation (EU) No 305/2011.

Specific Part

1 Technical description of the product

The Wedge anchor ESSVE EST1 and EST1-IG is an anchor made of galvanised steel or made of stainless steel or high corrosion resistant steel which is placed into a drilled hole and anchored by torque-controlled expansion. The following anchor types are covered:

- Anchor type ESSVE EST1 with external thread, washer and hexagon nut, sizes M8 to M27,
- Anchor type ESSVE EST1-IG S with internal thread, hexagon head nut and washer S-IG, sizes M6 to M12,
- Anchor type ESSVE EST1-IG SK with internal thread, countersunk head screw and countersunk washer SK-IG, sizes M6 to M12,
- Anchor type ESSVE EST1-IG B with internal thread, hexagon nut and washer MU-IG, sizes M6 to M12.

The product description is given in Annex A.

2 Specification of the intended use in accordance with the applicable European Assessment Document

The performances given in Section 3 are only valid if the anchor is used in compliance with the specifications and conditions given in Annex B.

The verifications and assessment methods on which this European Technical Assessment is based lead to the assumption of a working life of the anchor of at least 50 years. The indications given on the working life cannot be interpreted as a guarantee given by the producer, but are to be regarded only as a means for choosing the right products in relation to the expected economically reasonable working life of the works.

3 Performance of the product and references to the methods used for its assessment

3.1 Mechanical resistance and stability (BWR 1)

Essential characteristic	Performance
Characteristic resistance for static and quasi static action for ESSVE EST1	See Annex C 1 to C 5
Characteristic resistance for seismic performance categories C1 and C2 for ESSVE EST1	See Annex C 6
Characteristic resistance for static and quasi static action for ESSVE EST1-IG	See Annex C 11 to C 13
Displacements under tension and shear loads for ESSVE EST1	See Annex C 9 to C 10
Displacements under tension and shear loads for ESSVE EST1-IG	See Annex C 15

3.2 Safety in case of fire (BWR 2)

Essential characteristic	Performance
Reaction to fire	Anchorage satisfy requirements for Class A1
Resistance to fire for ESSVE EST1	See Annex C 7 and C 8
Resistance to fire for ESSVE EST1-IG	See Annex C 14

4 Assessment and verification of constancy of performance (AVCP) system applied, with reference to its legal base

In accordance with European Assessment Documents EAD No. 330232-00-0601 the applicable European legal act is: [96/582/EC].

The system to be applied is: 1

5 Technical details necessary for the implementation of the AVCP system, as provided for in the applicable European Assessment Document

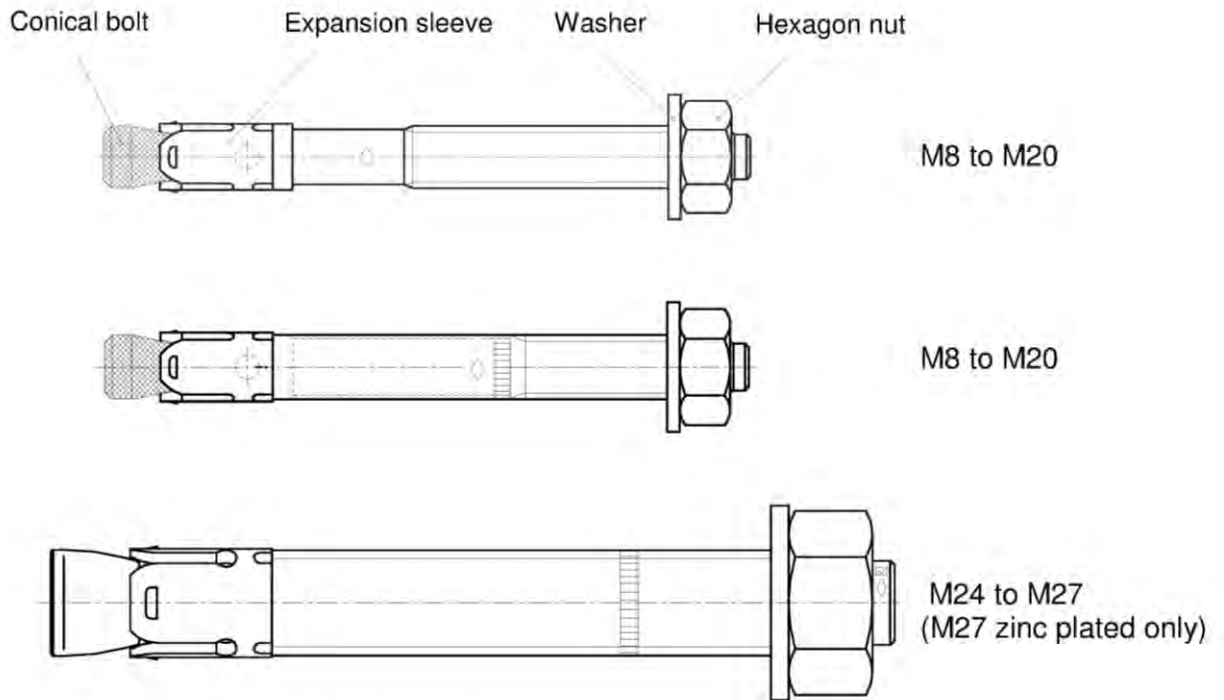
Technical details necessary for the implementation of the AVCP system are laid down in the control plan deposited at Deutsches Institut für Bautechnik.

Issued in Berlin on 10 August 2017 by Deutsches Institut für Bautechnik

Andreas Kummerow
Head of Department

beglaubigt:
Baderschneider

Wedge anchor ESSVE EST1



Wedge anchor ESSVE EST1-IG M6 to M12

Anchor system

ESSVE EST1-IG S		Washer	Hexagon head screw
ESSVE EST1-IG SK	Conical bolt	Countersunk washer	Countersunk head screw
ESSVE EST1-IG B	Expansion sleeve	Washer Hexagon nut	Commercial standard rod

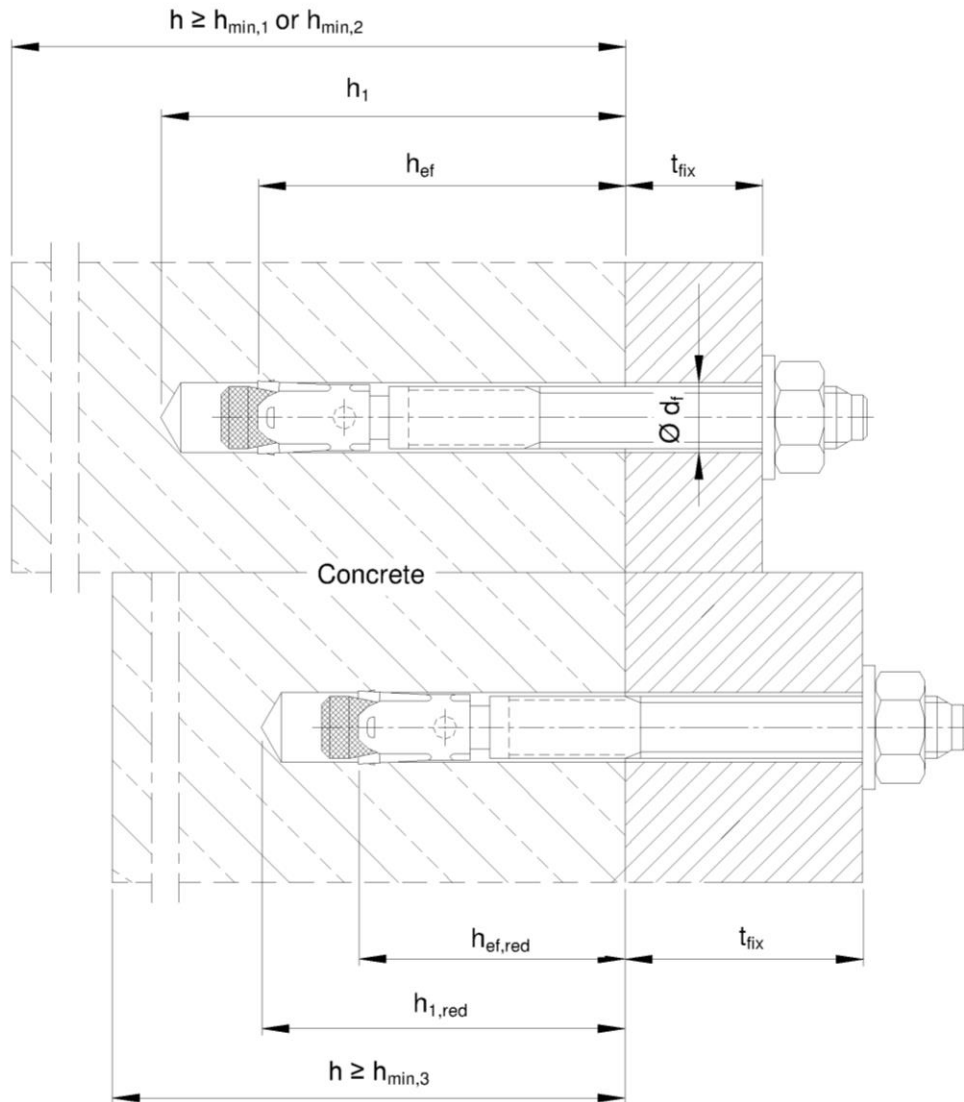
Anchor version	Product description	Intended use	Performance
ESSVE EST1	Annex A1 – Annex A4	Annex B1 – Annex B6	Annex C1 – Annex C10
ESSVE EST1-IG	Annex A1 Annex A5 – Annex A7	Annex B1 – Annex B2 Annex B7 – Annex B9	Annex C11 – Annex C15

Wedge anchor ESSVE EST1 and EST1-IG

Product description
Anchor types

Annex A1

Intended use Wedge anchor ESSVE EST1



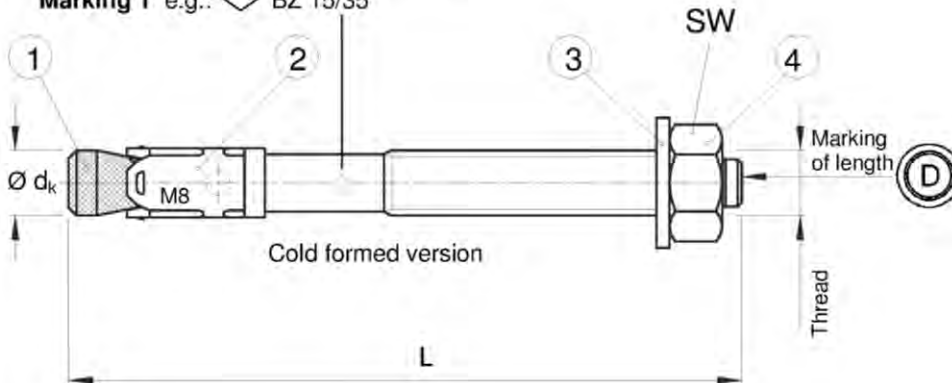
Wedge anchor ESSVE EST1

Product description
Installation situation ESSVE EST1

Annex A2

Anchor size ESSVE EST1 M8 to M20:

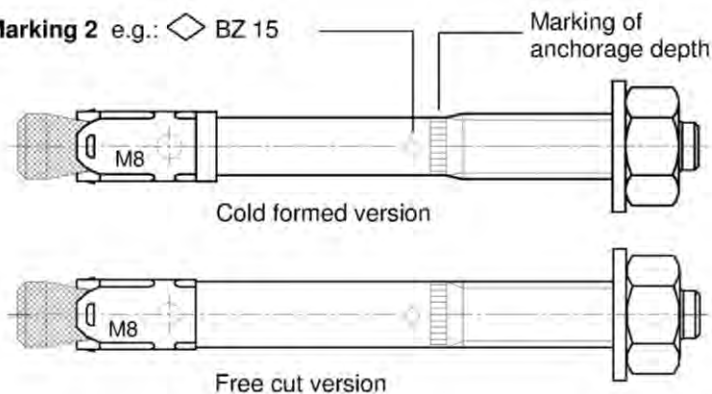
Marking 1 e.g.: \diamond BZ 15/35



Marking 1 e.g.: \diamond BZ 15/35

- \diamond Identifying mark of manufacturing plant
- BZ identification code
- 15 maximum thickness of fixture for h_{ef}
- 35 max. thickness of fixture for $h_{ef,red}$
- M8 Thread diameter
- A4 additional marking of stainless steel
- HCR additional marking of high corrosion resistant steel

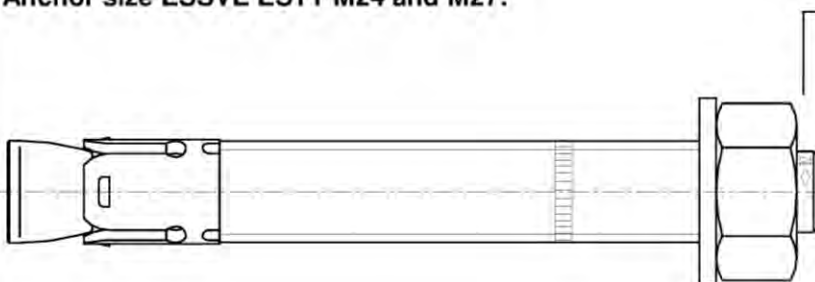
Marking 2 e.g.: \diamond BZ 15



Marking 2 e.g.: \diamond BZ 15

- \diamond Identifying mark of manufacturing plant
- BZ identification code
- 15 maximum thickness of fixture for h_{ef}
- M8 Thread diameter
- A4 additional marking of stainless steel
- HCR additional marking of high corrosion resistant steel

Anchor size ESSVE EST1 M24 and M27:



Marking 3 e.g.: \diamond BZ M24-30

- \diamond Identifying mark of manufacturing plant
- BZ identification code
- M24 Thread diameter
- 30 maximum thickness of fixture
- A4 additional marking of stainless steel
- HCR additional marking of high corrosion resistant steel

Marking of length	C (c)	D (d)	E (e)	F (f)	G (g)	H (h)	I (i)	J (j)	K (k)	L (l)	M (m)	N (n)
Length of anchor min \geq	63,5	76,2	88,9	101,6	114,3	127,0	139,7	152,4	165,1	177,8	190,5	203,2
Length of anchor max $<$	76,2	88,9	101,6	114,3	127,0	139,7	152,4	165,1	177,8	190,5	203,2	215,9

Marking of length	O (o)	P (p)	Q (q)	R (r)	S (s)	T (t)	U (u)	V (v)	W (w)	X (x)	Y (y)	Z (z)
Length of anchor min \geq	215,9	228,6	241,3	254,0	279,4	304,8	330,2	355,6	381,0	406,4	431,8	457,2
Length of anchor max $<$	228,6	241,3	254,0	279,4	304,8	330,2	355,6	381,0	406,4	431,8	457,2	483,0

Wedge anchor ESSVE EST1

Product description
Anchor sizes and marking

Annex A3

Table A1: Anchor dimensions ESSVE EST1

Anchor size			M8	M10	M12	M16	M20	M24	M27
1	Conical bolt	Thread	M8	M10	M12	M16	M20	M24	M27
		$\varnothing d_k =$	7,9	9,8	12,0	15,7	19,7	24	28
	Length of anchor	Steel, zinc plated	L	$65 + t_{fix}$	$80 + t_{fix}$	$96,5 + t_{fix}$	$118 + t_{fix}$	$137 + t_{fix}$	$161 + t_{fix}$
A4, HCR		L	$65 + t_{fix}$	$80 + t_{fix}$	$96,5 + t_{fix}$	$118 + t_{fix}$	$137 + t_{fix}$	$168 + t_{fix}$	-
reduced anchorage depth		$L_{hef,red}$	$54 + t_{fix}$	$60 + t_{fix}$	$76,5 + t_{fix}$	$98 + t_{fix}$	-	-	-
2	Expansion sleeve		see Table A2						
3	Washer		see Table A2						
4	Hexagon nut	SW	13	17	19	24	30	36	41

Dimensions in mm

Table A2: Materials ESSVE EST1

No.	Part	ESSVE EST1		ESSVE EST1 A4	ESSVE EST1 HCR
		Steel, zinc plated		Stainless steel A4	High corrosion resistant steel (HCR)
1	Conical bolt	<u>M8 to M20:</u> Cold formed or machined steel, galvanised $\geq 5\mu\text{m}$, Cone plastic coated	<u>M10 to M20:</u> Cold formed or machined steel, sherardized $\geq 40\mu\text{m}$, Cone plastic coated	<u>M8 to M20:</u> Stainless steel (e.g. 1.4401, 1.4404, 1.4578, 1.4571) EN 10088:2014, Cone plastic coated	<u>M8 to M20:</u> High corrosion resistant steel 1.4529 or 1.4565, EN 10088:2014, Cone plastic coated
	Threaded bolt and threaded cone	<u>M24 and M27:</u> Steel, galvanised	-	<u>M24:</u> Stainless steel (e.g. 1.4401, 1.4404) EN 10088:2014	<u>M24:</u> High corrosion resistant steel 1.4529 or 1.4565, EN 10088:2014
2	Expansion sleeve	<u>M8 to M20:</u> Steel acc. to EN 10088:2014, material No. 1.4301 or 1.4401 <u>M24 and M27:</u> Steel acc. to EN 10139:1997	<u>M10 to M20:</u> Steel acc. to EN 10088:2014, material No. 1.4301 or 1.4401	Stainless steel (e.g. 1.4401, 1.4404, 1.4571) EN 10088:2014	Stainless steel (e.g. 1.4401, 1.4404, 1.4571) EN 10088:2014
3	Washer	Steel, galvanised	Steel, mechanically galvanised	Stainless steel (e.g. 1.4401, 1.4571) EN 10088:2014	High corrosion resistant steel 1.4529 or 1.4565, EN 10088:2014
4	Hexagon nut	Steel, galvanised, coated	Steel, hot dip galvanised	Stainless steel (e.g. 1.4401, 1.4571) EN 10088:2014, coated	High corrosion resistant steel 1.4529 or 1.4565, EN 10088:2014, coated

Wedge anchor ESSVE EST1

Product description
Dimensions and materials

Annex A4

Intended use Wedge anchor ESSVE EST1-IG

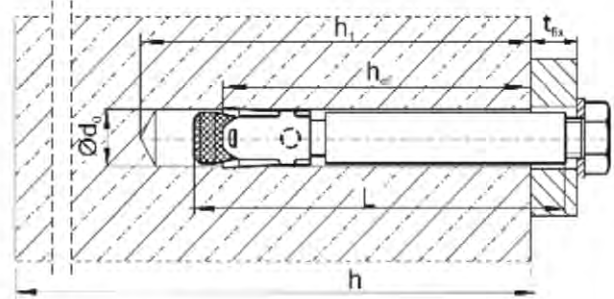
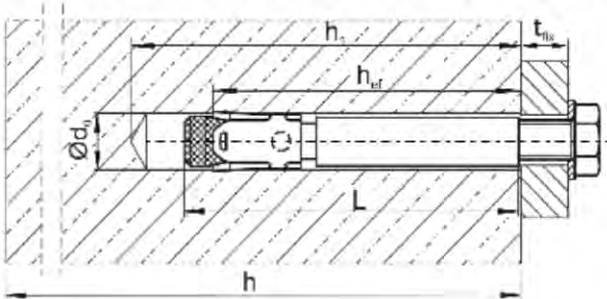
Installation type V pre-setting installation

pre-set anchor body, the fixture bears on the screw or thread rod only

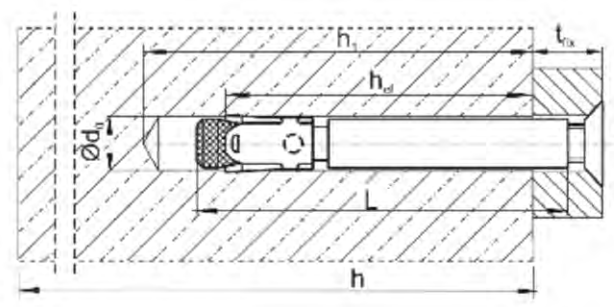
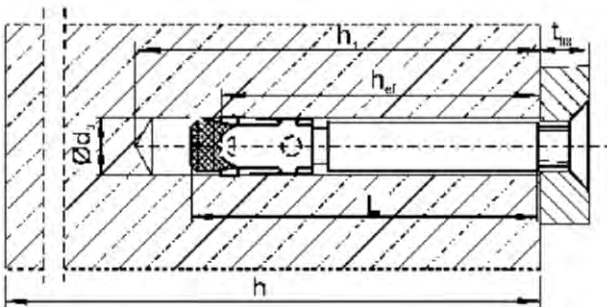
Installation type D through-setting installation

the anchor is set through the fixture, the fixture bears on the conical bolt EST1-IG

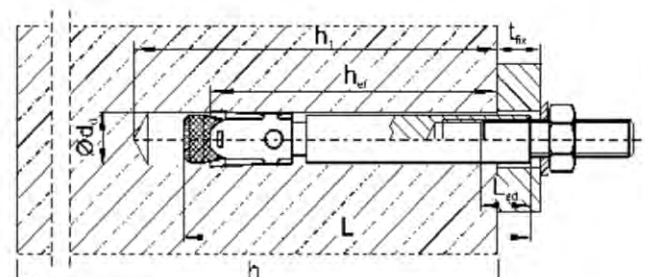
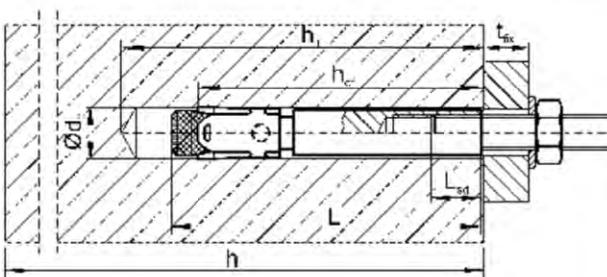
EST1-IG S consisting of EST1-IG and S-IG



EST1-IG SK consisting of EST1-IG and SK-IG



EST1-IG B consisting of EST1-IG and MU-IG



Wedge anchor ESSVE EST1-IG

Product description

Installation situation ESSVE EST1-IG

Annex A5

Marking: \diamond Identifying mark of manufacturing plant
 BZ identification code
 M6 size of internal thread
 10 max. thickness of fixture
 (only installation type D)
 A4 additionally for stainless steel
 HCR additionally for high corrosion resistant steel

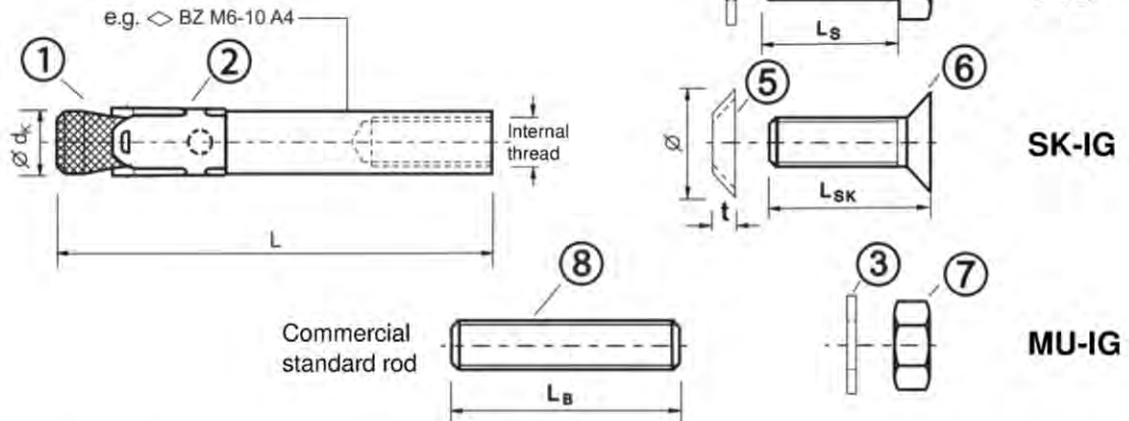


Table A3: Anchor dimensions ESSVE EST1-IG

No.	Anchor size		M6	M8	M10	M12
1	Conical bolt with Internal thread Installation type V Installation type D	$\varnothing d_k$	7,9	9,8	11,8	15,7
		L	50	62	70	86
		L	$50 + t_{fix}$	$62 + t_{fix}$	$70 + t_{fix}$	$86 + t_{fix}$
2	Expansion sleeve	see table A4				
3	Washer	see table A4				
4	Hexagon head screw Installation type V Installation type D	width across flats	10	13	17	19
		L_S	$t_{fix} + (13 \text{ to } 21)$	$t_{fix} + (17 \text{ to } 23)$	$t_{fix} + (21 \text{ to } 25)$	$t_{fix} + (24 \text{ to } 29)$
		L_S	14 to 20	18 to 22	20 to 22	25 to 28
5	Countersunk washer	\varnothing countersunk	17,3	21,5	25,9	30,9
		t	3,9	5,0	5,7	6,7
6	Countersunk head screw Installation type V Installation type D	bit size	Torx T30	Torx T45 (Steel, zinc plated) T40 (Stainless steel A4, HCR)	Hexagon socket 6 mm	Hexagon socket 8 mm
		L_{SK}	$t_{fix} + (11 \text{ to } 19)$	$t_{fix} + (15 \text{ to } 21)$	$t_{fix} + (19 \text{ to } 23)$	$t_{fix} + (21 \text{ to } 27)$
		L_{SK}	16 to 20	20 to 25	25	30
7	Hexagon nut	width across flats	10	13	17	19
8	Commercial standard rod ¹⁾	type V $L_B \geq$	$t_{fix} + 21$	$t_{fix} + 28$	$t_{fix} + 34$	$t_{fix} + 41$
		type D $L_B \geq$	21	28	34	41

¹⁾ acc. to specifications (Table A4)

Dimensions in mm

Wedge anchor ESSVE EST1-IG

Product description
Anchor parts, marking and dimensions

Annex A6

Table A4: Materials ESSVE EST1-IG

No.	Part	ESSVE EST1-IG	ESSVE EST1-IG A4	ESSVE EST1-IG HCR
		Steel, zinc plated ≥ 5 µm acc. to EN ISO 4042:1999	Stainless steel A4	High corrosion resistant steel HCR
1	Conical bolt ESSVE EST1-IG with internal thread	Machined steel, Cone plastic coated	Stainless steel (e.g. 1.4401, 1.4404, 1.4571, 1.4362) EN 10088:2014, Cone plastic coated	High corrosion resistant steel, 1.4529, 1.4565, EN 10088:2014, Cone plastic coated
2	Expansion sleeve ESSVE EST1-IG	Stainless steel (e.g. 1.4301, 1.4401) EN 10088:2014	Stainless steel (e.g. 1.4401, 1.4571) EN 10088:2014	Stainless steel (e.g. 1.4401, 1.4571) EN 10088:2014
3	Washer S-IG / MU-IG	Steel, galvanised	Stainless steel (e.g. 1.4401, 1.4571) EN 10088:2014	High corrosion resistant steel, 1.4529, 1.4565, EN 10088:2014
4	Hexagon head screw S-IG	Steel, galvanised, coated	Stainless steel (e.g. 1.4401, 1.4571) EN 10088:2014, coated	High corrosion resistant steel, 1.4529, 1.4565, EN 10088:2014, coated
5	Countersunk washer SK-IG	Steel, galvanised	Stainless steel (e.g. 1.4401, 1.4404, 1.4571) EN 10088:2014, zinc plated, coated	High corrosion resistant steel, 1.4529, 1.4565, EN 10088:2014, zinc plated, coated
6	Countersunk head screw SK-IG	Steel, galvanised coated	Stainless steel (e.g. 1.4401, 1.4571) EN 10088:2014, coated	High corrosion resistant steel, 1.4529, 1.4565, EN 10088:2014, coated
7	Hexagon nut MU-IG	Steel, galvanised coated	Stainless steel (e.g. 1.4401, 1.4571) EN 10088:2014, coated	High corrosion resistant steel, 1.4529, 1.4565, EN 10088:2014, coated
8	Commercial standard rod	Property class 8.8, EN ISO 898-1:2013 A ₅ > 8 % ductile	Stainless steel (e.g. 1.4401, 1.4571) EN 10088:2014, property class 70, EN ISO 3506:2009	High corrosion resistant steel, 1.4529, 1.4565, EN 10088:2014, property class 70, EN ISO 3506:2009

Wedge anchor ESSVE EST1-IG

Product description
Materials

Annex A7

Specifications of intended use

ESSVE EST1							
Standard anchorage depth	M8	M10	M12	M16	M20	M24	M27
Steel, galvanised				✓			
Steel, sherardized	-		✓			-	
Stainless steel A4 and high corrosion resistant steel HCR			✓				-
Static or quasi-static action				✓			
Fire exposure				✓			
Seismic action (C1 and C2) ¹⁾			✓			-	-
Reduced anchorage depth ¹⁾	M8	M10	M12	M16			
Steel, galvanised		✓					
Steel, sherardized	-		✓				
Stainless steel A4 and high corrosion resistant steel HCR		✓					
Static or quasi-static action		✓					
Fire exposure		✓					
Seismic action (C1 and C2)			-				

¹⁾ only cold formed anchors acc. to Annex A3

Wedge Anchor ESSVE EST1-IG	M6	M8	M10	M12
Steel zinc plated			✓	
Stainless steel A4 and high corrosion resistant steel HCR			✓	
Static or quasi-static action			✓	
Fire exposure			✓	
Seismic action (C1 and C2)			-	

Base materials:

- Reinforced or unreinforced normal weight concrete according to EN 206-1:2000
- Strength classes C20/25 to C50/60 according to EN 206-1:2000
- Cracked or non-cracked concrete

Use conditions (Environmental conditions):

- Structures subject to dry internal conditions (steel zinc plated, stainless steel or high corrosion resistant steel).
- Structures subject to external atmospheric exposure including industrial and marine environment or exposure to permanently damp internal condition, if no particular aggressive conditions exist (stainless steel or high corrosion resistant steel).
- Structures subject to external atmospheric exposure and to permanently damp internal condition, if other particular aggressive conditions (high corrosion resistant steel)

Note: Particular aggressive conditions are e.g. permanent, alternating immersion in seawater or the splash zone of seawater, chloride atmosphere of indoor pools or atmosphere with extreme chemical pollution (e.g. in desulphurization plants or road tunnels where de-icing materials are used.)

Wedge anchor ESSVE EST1 and ESSVE EST1-IG

Intended use
Specifications

Annex B1

Specifications of intended use

Design:

- Anchorages are designed under the responsibility of an engineer experienced in anchorages and concrete work.
- Verifiable calculation notes and drawings are prepared taking account of the loads to be anchored. The position of the anchor is indicated on the design drawings (e.g. position of the anchor relative to reinforcement or to supports, etc.).
- Dimensioning of anchors under static or quasi-static effect, seismic influence or fire load according to FprEN 1992-4: 2016 in conjunction with TR 055.

Installation:

- Anchor installation carried out by appropriately qualified personnel and under the supervision of the person responsible for technical matters of the site,
- Use of the anchor only as supplied by the manufacturer without exchanging the components of the anchor,
- In case of aborted hole: new drilling at a minimum distance away of twice the depth of the aborted hole or smaller distance if the aborted drill hole is filled with high strength mortar and if under shear or oblique tension load it is not in the direction of load application.

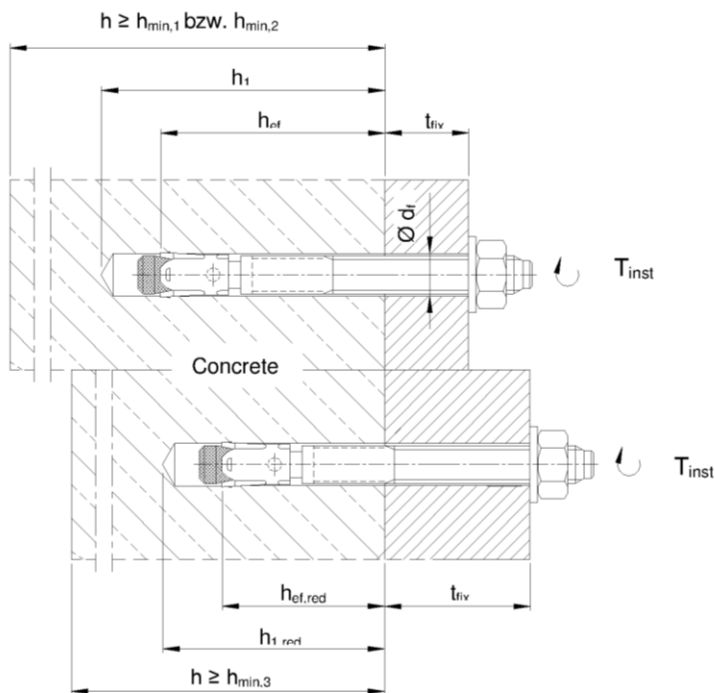
Wedge anchor ESSVE EST1 and ESSVE EST1-IG

Intended use
Specifications

Annex B2

Table B1: Installation parameters, ESSVE EST1

Anchor size			M8	M10	M12	M16	M20	M24	M27	
Nominal drill hole diameter	d_0	[mm]	8	10	12	16	20	24	28	
Cutting diameter of drill bit	$d_{cut} \leq$	[mm]	8,45	10,45	12,5	16,5	20,55	24,55	28,55	
Installation torque	Steel, galvanised	T_{inst}	[Nm]	20	25	45	90	160	200	300
	Steel, sherardized	T_{inst}	[Nm]	-	22	40	90	160	-	-
	Stainless steel A4, HCR	T_{inst}	[Nm]	20	35	50	110	200	290	-
Diameter of clearance hole in the fixture	$d_i \leq$	[mm]	9	12	14	18	22	26	30	
Standard anchorage depth										
Depth of drill hole	Steel, zinc plated	$h_1 \geq$	[mm]	60	75	90	110	125	145	160
	Stainless steel A4, HCR	$h_1 \geq$	[mm]	60	75	90	110	125	155	-
Effective anchorage depth	Steel, zinc plated	h_{ef}	[mm]	46	60	70	85	100	115	125
	Stainless steel A4, HCR	h_{ef}	[mm]	46	60	70	85	100	125	-
Reduced anchorage depth										
Depth of drill hole	$h_{1,red} \geq$	[mm]	49	55	70	90	-	-	-	
Reduced effective anchorage depth	$h_{ef,red}$	[mm]	35	40	50	65	-	-	-	



Wedge anchor ESSVE EST1

Intended use
Installation parameters

Annex B3

Table B2: Minimum spacings and edge distances, standard anchorage depth, ESSVE EST1

Anchor size			M8	M10	M12	M16	M20	M24	M27
Standard thickness of concrete member									
Steel zinc plated									
Standard thickness of member	$h_{min,1}$	[mm]	100	120	140	170	200	230	250
Cracked concrete									
Minimum spacing	s_{min}	[mm]	40	45	60	60	95	100	125
	for $c \geq$	[mm]	70	70	100	100	150	180	300
Minimum edge distance	c_{min}	[mm]	40	45	60	60	95	100	180
	for $s \geq$	[mm]	80	90	140	180	200	220	540
Non-cracked concrete									
Minimum spacing	s_{min}	[mm]	40	45	60	65	90	100	125
	for $c \geq$	[mm]	80	70	120	120	180	180	300
Minimum edge distance	c_{min}	[mm]	50	50	75	80	130	100	180
	for $s \geq$	[mm]	100	100	150	150	240	220	540
Stainless steel A4, HCR									
Standard thickness of member	$h_{min,1}$	[mm]	100	120	140	160	200	250	-
Cracked concrete									
Minimum spacing	s_{min}	[mm]	40	50	60	60	95	125	-
	for $c \geq$	[mm]	70	75	100	100	150	125	
Minimum edge distance	c_{min}	[mm]	40	55	60	60	95	125	
	for $s \geq$	[mm]	80	90	140	180	200	125	
Non-cracked concrete									
Minimum spacing	s_{min}	[mm]	40	50	60	65	90	125	-
	for $c \geq$	[mm]	80	75	120	120	180	125	
Minimum edge distance	c_{min}	[mm]	50	60	75	80	130	125	
	for $s \geq$	[mm]	100	120	150	150	240	125	
Minimum thickness of concrete member									
Steel zinc plated, stainless steel A4, HCR									
Minimum thickness of member	$h_{min,2}$	[mm]	80	100	120	140	-	-	-
Cracked concrete									
Minimum spacing	s_{min}	[mm]	40	45	60	70	-	-	-
	for $c \geq$	[mm]	70	90	100	160			
Minimum edge distance	c_{min}	[mm]	40	50	60	80			
	for $s \geq$	[mm]	80	115	140	180			
Non-cracked concrete									
Minimum spacing	s_{min}	[mm]	40	60	60	80	-	-	-
	for $c \geq$	[mm]	80	140	120	180			
Minimum edge distance	c_{min}	[mm]	50	90	75	90			
	for $s \geq$	[mm]	100	140	150	200			
Fire exposure from one side									
Minimum spacing	$s_{min,fi}$	[mm]	See normal ambient temperature						
Minimum edge distance	$c_{min,fi}$	[mm]	See normal ambient temperature						
Fire exposure from more than one side									
Minimum spacing	$s_{min,fi}$	[mm]	See normal ambient temperature						
Minimum edge distance	$c_{min,fi}$	[mm]	≥ 300 mm						

Intermediate values by linear interpolation.

Wedge anchor ESSVE EST1

Intended use
Minimum spacings and edge distances for standard anchorage depth

Annex B4

Table B3: Minimum spacings and edge distances, reduced anchorage depth, ESSVE EST1

Anchor size			M8	M10	M12	M16
Minimum thickness of concrete member	$h_{\min,3}$	[mm]	80	80	100	140
Cracked concrete						
Minimum spacing	s_{\min}	[mm]	50	50	50	65
	for $c \geq$	[mm]	60	100	160	170
Minimum edge distance	c_{\min}	[mm]	40	65	65	100
	for $s \geq$	[mm]	185	180	250	250
Non-cracked concrete						
Minimum spacing	s_{\min}	[mm]	50	50	50	65
	for $c \geq$	[mm]	60	100	160	170
Minimum edge distance	c_{\min}	[mm]	40	65	100	170
	for $s \geq$	[mm]	185	180	185	65
Fire exposure from one side						
Minimum spacing	$s_{\min,fi}$	[mm]	See normal ambient temperature			
Minimum edge distance	$c_{\min,fi}$	[mm]	See normal ambient temperature			
Fire exposure from more than one side						
Minimum spacing	$s_{\min,fi}$	[mm]	See normal ambient temperature			
Minimum edge distance	$c_{\min,fi}$	[mm]	≥ 300 mm			

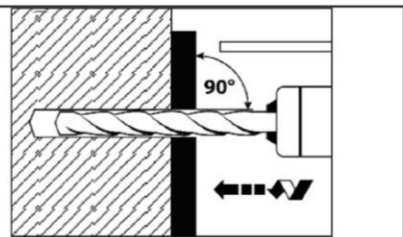
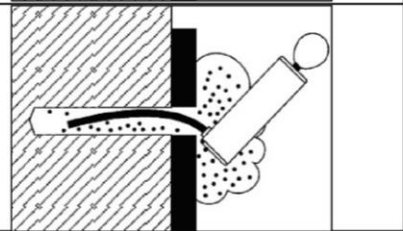
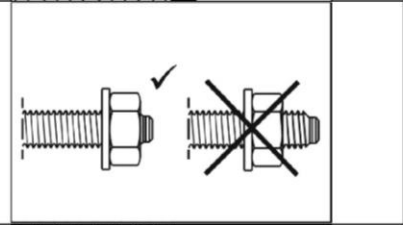
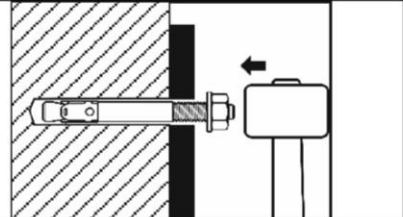
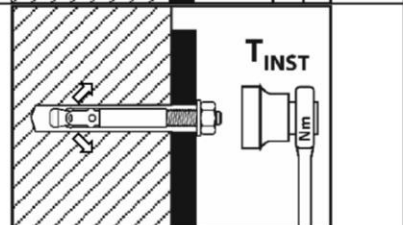
Intermediate values by linear interpolation.

Wedge anchor ESSVE EST1

Intended use
Minimum spacings and edge distances for reduced anchorage depth

Annex B5

Installation instructions ESSVE EST1

1		Drill hole perpendicular to concrete surface.
2		Blow out dust. Alternatively vacuum clean down to the bottom of the hole.
3		Check position of nut.
4		Drive in anchor, such that h_{ef} or $h_{ef,red}$ depth is met. This compliance is ensured, if the thickness of fixture is not greater than the maximum thickness of fixture marked on the anchor in accordance with Annex A3.
5		Max. tightening torque T_{inst} shall be applied by using calibrated torque wrench.

Wedge anchor ESSVE EST1

Intended Use
Installation instructions

Annex B6

Table B4: Installation parameters ESSVE EST1-IG

Anchor size			M6	M8	M10	M12	
Effective anchorage depth	h_{ef}	[mm]	45	58	65	80	
Drill hole diameter	d_0	[mm]	8	10	12	16	
Cutting diameter of drill bit	$d_{cut} \leq$	[mm]	8,45	10,45	12,5	16,5	
Depth of drill hole	$h_1 \geq$	[mm]	60	75	90	105	
Screwing depth of threaded rod	$L_{sd}^{2)} \geq$	[mm]	9	12	15	18	
Installation moment, steel zinc plated	T_{inst}	S	[Nm]	10	30	30	55
		SK	[Nm]	10	25	40	50
		B	[Nm]	8	25	30	45
Installation moment, stainless steel A4, HCR	T_{inst}	S	[Nm]	15	40	50	100
		SK	[Nm]	12	25	45	60
		B	[Nm]	8	25	40	80
Installation type V (Pre-setting installation)							
Diameter of clearance hole in the fixture	$d_f \leq$	[mm]	7	9	12	14	
Minimum thickness of fixture	$t_{fix} \geq$	S	[mm]	1	1	1	1
		SK	[mm]	5	7	8	9
		B	[mm]	1	1	1	1
Installation type D (Through-setting installation)							
Diameter of clearance hole in the fixture	$d_f \leq$	[mm]	9	12	14	18	
Minimum thickness of fixture ¹⁾	$t_{fix} \geq$	S	[mm]	5	7	8	9
		SK	[mm]	9	12	14	16
		B	[mm]	5	7	8	9

¹⁾ The minimum thickness of fixture can be reduced to the value of installation type V, if the shear load at steel failure is designed with lever arm.

²⁾ see Annex A5

Table B5: Minimum spacings and edge distances ESSVE EST1-IG

Anchor size			M6	M8	M10	M12
Minimum thickness of concrete member	h_{min}	[mm]	100	120	130	160
Cracked concrete						
Minimum spacing	s_{min}	[mm]	50	60	70	80
	for $c \geq$	[mm]	60	80	100	120
Minimum edge distance	c_{min}	[mm]	50	60	70	80
	for $s \geq$	[mm]	75	100	100	120
Non-cracked concrete						
Minimum spacing	s_{min}	[mm]	50	60	65	80
	for $c \geq$	[mm]	80	100	120	160
Minimum edge distance	c_{min}	[mm]	50	60	70	100
	for $s \geq$	[mm]	115	155	170	210
Fire exposure from one side						
Minimum spacing	$s_{min,fi}$	[mm]	See normal temperature			
Minimum edge distance	$c_{min,fi}$	[mm]	See normal temperature			
Fire exposure from more than one side						
Minimum spacing	$s_{min,fi}$	[mm]	See normal temperature			
Minimum edge distance	$c_{min,fi}$	[mm]	≥ 300 mm			

Intermediate values by linear interpolation.

Wedge anchor ESSVE EST1-IG

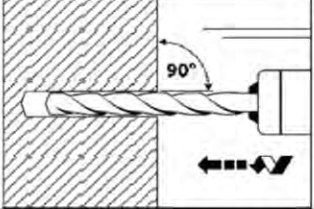
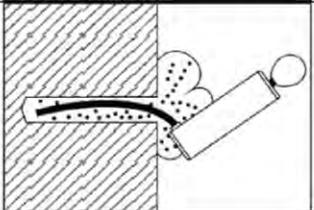
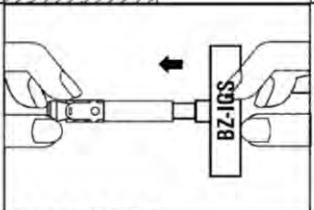
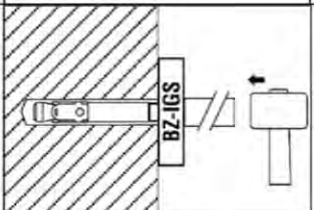
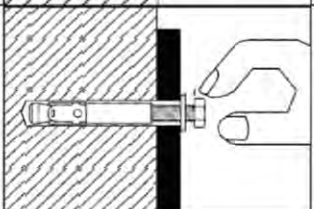
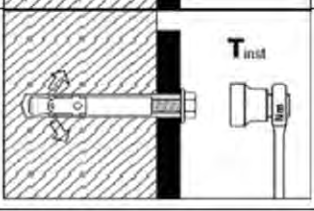
Intended use

Installation parameters, minimum spacings and edge distances

Annex B7

Installation instructions ESSVE EST1-IG

Pre-setting installation

1		Drill hole perpendicular to concrete surface.
2		Blow out dust. Alternatively vacuum clean down to the bottom of the hole.
3		Setting tool for pre-setting installation insert in anchor.
4		Drive in anchor with setting tool.
5		Drive in screw.
6		Max. tightening torque T_{inst} may be applied by using calibrated torque wrench.

Wedge anchor ESSVE EST1-IG

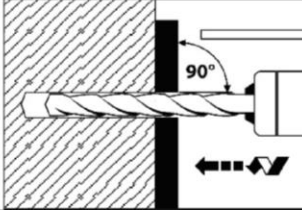
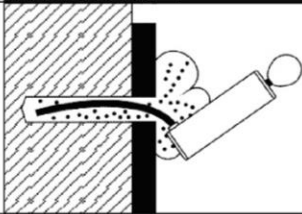
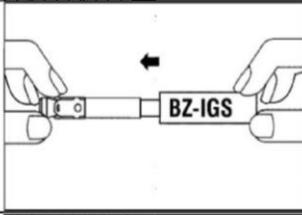
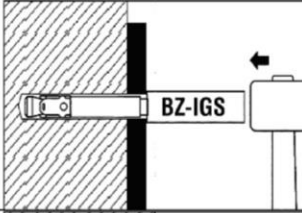
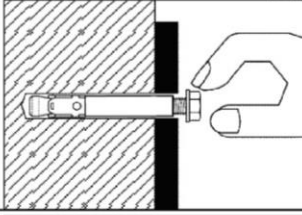
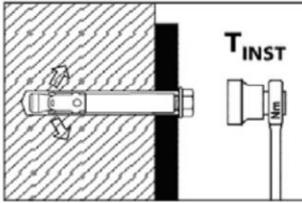
Intended Use

Installation instructions for pre-setting installation

Annex B8

Installation instructions ESSVE EST1-IG

Through-setting installation

1		Drill hole perpendicular to concrete surface.
2		Blow out dust. Alternatively vacuum clean down to the bottom of the hole.
3		Setting tool for through-setting installation insert in anchor.
4		Drive in anchor with setting tool.
5		Drive in screw.
6		Max. tightening torque T_{inst} may be applied by using calibrated torque wrench.

Wedge anchor ESSVE EST1-IG

Intended Use

Installation instructions for through-setting installation

Annex B9

Table C1: Characteristic values for **tension loads** ESSVE EST1 **zinc plated, cracked concrete**, static and quasi-static action

Anchor size			M8	M10	M12	M16	M20	M24	M27
Installation safety factor	γ_{inst}	[-]	1,0						
Steel failure									
Characteristic tension resistance	$N_{Rk,s}$	[kN]	16	27	40	60	86	126	196
Partial safety factor	γ_{Ms}	[-]	1,53		1,5		1,6	1,5	
Pull-out									
Standard anchorage depth									
Characteristic resistance in concrete C20/25	$N_{Rk,p}$	[kN]	5	9	16	25	1)	1)	1)
Reduced anchorage depth									
Characteristic resistance in concrete C20/25	$N_{Rk,p}$	[kN]	5	7,5	1)	1)	-	-	-
Increasing factor for $N_{Rk,p}$	ψ_c	[-]	$\left(\frac{f_{ck}}{20}\right)^{0,5}$						
Concrete cone failure									
Effective anchorage depth	h_{ef}	[mm]	46	60	70	85	100	115	125
Reduced anchorage depth	$h_{ef,red}$	[mm]	35 ²⁾	40	50	65	-	-	-
Factor k_1 for cracked concrete	$k_{cr,N}$	[-]	7,7						

¹⁾ Pull-out is not decisive.

²⁾ Use restricted to anchoring of structural components statically indeterminate.

Wedge anchor ESSVE EST1

Performance

Characteristic values for **tension loads, ESSVE EST1 zinc plated, cracked concrete**, static and quasi-static action

Annex C1

Table C2: Characteristic values for **tension loads**, ESSVE EST1 A4 / HCR, **cracked concrete**, static and quasi-static action

Anchor size		M8	M10	M12	M16	M20	M24
Installation safety factor	γ_{inst} [-]	1,0					
Steel failure							
Characteristic tension resistance	$N_{Rk,s}$ [kN]	16	27	40	64	108	110
Partial safety factor	γ_{Ms} [-]	1,5				1,68	1,5
Pull-out							
Standard anchorage depth							
Characteristic resistance in concrete C20/25	$N_{Rk,p}$ [kN]	5	9	16	25	1 ¹⁾	40
Reduced anchorage depth							
Characteristic resistance in concrete C20/25	$N_{Rk,p}$ [kN]	5	7,5	1 ¹⁾	1 ¹⁾	-	-
Increasing factor for $N_{Rk,p}$	ψ_c [-]	$\left(\frac{f_{ck}}{20}\right)^{0,5}$					
Concrete cone failure							
Effective anchorage depth	h_{ef} [mm]	46	60	70	85	100	125
Reduced anchorage depth	$h_{ef,red}$ [mm]	35 ²⁾	40	50	65	-	-
Factor k_1 for cracked concrete	$k_{cr,N}$ [-]	7,7					

¹⁾ Pull-out is not decisive.

²⁾ Use restricted to anchoring of structural components statically indeterminate.

Wedge anchor ESSVE EST1

Performance

Characteristic values for **tension loads**, ESSVE EST1 A4 / HCR, **cracked concrete**, static and quasi-static action

Annex C2

Table C3: Characteristic values for **tension loads**, ESSVE EST1 zinc plated, **non-cracked concrete**, static and quasi-static action

Anchor size		M8	M10	M12	M16	M20	M24	M27
Installation safety factor	γ_{inst} [-]	1,0						
Steel failure								
Characteristic tension resistance	$N_{Rk,s}$ [kN]	16	27	40	60	86	126	196
Partial safety factor	γ_{Ms} [-]	1,53		1,5		1,6	1,5	
Pull-out								
Standard anchorage depth								
Characteristic resistance in non-cracked concrete C20/25	$N_{Rk,p}$ [kN]	12	16	25	35	1) ¹⁾	1) ¹⁾	1) ¹⁾
Reduced anchorage depth								
Characteristic resistance in non-cracked concrete C20/25	$N_{Rk,p}$ [kN]	7,5	9	1) ¹⁾	1) ¹⁾	-	-	-
Splitting								
Standard anchorage depth								
Splitting for standard thickness of concrete member (The higher resistance of case 1 and case 2 may be applied; the values $s_{cr,sp}$ and $c_{cr,sp}$ may be linearly interpolated for the member thickness $h_{min,2} < h < h_{min,1}$ (Case 2); $\psi_{h,sp} = 1,0$)								
Standard thickness of concrete	$h_{min,1} \geq$ [mm]	100	120	140	170	200	230	250
Case 1								
Characteristic resistance in non-cracked concrete C20/25	$N^0_{Rk,sp}$ [kN]	9	12	20	30	40	62,3	50
Spacing (edge distance)	$c_{cr,sp}$ [mm]	1,5 h_{ef}						
Case 2								
Characteristic resistance in non-cracked concrete C20/25	$N^0_{Rk,sp}$ [kN]	12	16	25	35	50,5	62,3	70,6
Spacing (edge distance)	$c_{cr,sp}$ [mm]	2 h_{ef}				2,2 h_{ef}	1,5 h_{ef}	2,5 h_{ef}
Splitting for minimum thickness of concrete member								
Minimum thickness of concrete	$h_{min,2} \geq$ [mm]	80	100	120	140			
Characteristic resistance in non-cracked concrete C20/25	$N^0_{Rk,sp}$ [kN]	12	16	25	35	-	-	-
Spacing (edge distance)	$c_{cr,sp}$ [mm]	2,5 h_{ef}						
Reduced anchorage depth								
Minimum thickness of concrete	$h_{min,3} \geq$ [mm]	80	80	100	140			
Characteristic resistance in non-cracked concrete C20/25	$N^0_{Rk,sp}$ [kN]	7,5	9	17,9	26,5	-	-	-
Spacing (edge distance)	$c_{cr,sp}$ [mm]	100	100	125	150			
Increasing factor for $N_{Rk,p}$ and $N^0_{Rk,sp}$	ψ^c [-]	$\left(\frac{f_{ck}}{20}\right)^{0,5}$						
Concrete cone failure								
Effective anchorage depth	h_{ef} [mm]	46	60	70	85	100	115	125
Reduced anchorage depth	$h_{ef,red}$ [mm]	35 ²⁾	40	50	65	-	-	-
Factor k_1 for non-cracked concrete	$k_{ucr,N}$ [-]	11,0						

¹⁾ Pull-out is not decisive.

²⁾ Use restricted to anchoring of structural components statically indeterminate.

Wedge anchor ESSVE EST1

Performance

Characteristic values for **tension loads**, ESSVE EST1 zinc plated, **non-cracked concrete**, static and quasi-static action

Annex C3

Table C4: Characteristic values for **tension loads**, ESSVE EST1 A4 / HCR, **non-cracked concrete**, static and quasi-static action

Anchor size		M8	M10	M12	M16	M20	M24
Installation safety factor	γ_{inst} [-]	1,0					
Steel failure							
Characteristic tension resistance	$N_{Rk,s}$ [kN]	16	27	40	64	108	110
Partial safety factor	γ_{Ms} [-]	1,5				1,68	1,5
Pull-out							
Standard anchorage depth							
Characteristic resistance in non-cracked concrete C20/25	$N_{Rk,p}$ [kN]	12	16	25	35	1)	1)
Reduced anchorage depth							
Characteristic resistance in non-cracked concrete C20/25	$N_{Rk,p}$ [kN]	7,5	9	1)	1)	-	-
Splitting							
Standard anchorage depth							
Splitting for standard thickness of concrete member (The higher resistance of case 1 and case 2 may be applied; the values $s_{cr,sp}$ and $c_{cr,sp}$ may be linearly interpolated for the member thickness $h_{min,2} < h < h_{min,1}$ (Case 2); $\psi_{h,sp} = 1,0$)							
Standard thickness of concrete	$h_{min,1} \geq$ [mm]	100	120	140	160	200	250
Case 1							
Characteristic resistance in non-cracked concrete C20/25	$N^0_{Rk,sp}$ [kN]	9	12	20	30	40	-
Spacing (edge distance)	$c_{cr,sp}$ [mm]	1,5 h_{ef}					
Case 2							
Characteristic resistance in non-cracked concrete C20/25	$N^0_{Rk,sp}$ [kN]	12	16	25	35	50,5	70,6
Spacing (edge distance)	$c_{cr,sp}$ [mm]	115	125	140	200	220	250
Splitting for minimum thickness of concrete member							
Minimum thickness of concrete	$h_{min,2} \geq$ [mm]	80	100	120	140		
Characteristic resistance in non-cracked concrete C20/25	$N^0_{Rk,sp}$ [kN]	12	16	25	35	-	-
Spacing (edge distance)	$s_{cr,sp} (= 2 c_{cr,sp})$ [mm]	5 h_{ef}					
Reduced anchorage depth							
Minimum thickness of concrete	$h_{min,3} \geq$ [mm]	80	80	100	140		
Characteristic resistance in non-cracked concrete C20/25	$N^0_{Rk,sp}$ [kN]	7,5	9	17,9	26,5	-	-
Spacing (edge distance)	$c_{cr,sp}$ [mm]	100	100	125	150		
Increasing factor for $N_{Rk,p}$ and $N^0_{Rk,sp}$	ψ_c [-]	$\left(\frac{f_{ck}}{20}\right)^{0,5}$					
Concrete cone failure							
Effective anchorage depth	h_{ef} [mm]	46	60	70	85	100	125
Reduced anchorage depth	$h_{ef,red}$ [mm]	35 ²⁾	40	50	65	-	-
Factor k_1 for non-cracked concrete	$k_{ucr,N}$ [-]	11,0					

1) Pull-out is not decisive.

2) Use restricted to anchoring of structural components statically indeterminate.

Wedge anchor ESSVE EST1

Performance
Characteristic values for **tension loads**, ESSVE EST1 A4 / HCR, **non-cracked concrete**, static and quasi-static action

Annex C4

Table C5: Characteristic values for **shear loads**, ESSVE EST1,
cracked and **non-cracked concrete**, static or quasi static action

Anchor size			M8	M10	M12	M16	M20	M24	M27	
Installation safety factor	γ_{inst}	[-]	1,0							
Steel failure without lever arm, Steel zinc plated										
Characteristic shear resistance	$V_{Rk,s}$	[kN]	12,2	20,1	30	55	69	114	169,4	
Factor for ductility	k_7	[-]	1,0							
Partial safety factor	γ_{Ms}	[-]	1,25				1,33	1,25	1,25	
Steel failure without lever arm, Stainless steel A4, HCR										
Characteristic shear resistance	$V_{Rk,s}$	[kN]	13	20	30	55	86	123,6	-	
Factor for ductility	k_7	[-]	1,0							
Partial safety factor	γ_{Ms}	[-]	1,25				1,4	1,25		
Steel failure with lever arm, Steel zinc plated										
Characteristic bending resistance	$M_{Rk,s}^0$	[Nm]	23	47	82	216	363	898	1331,5	
Partial safety factor	γ_{Ms}	[-]	1,25				1,33	1,25	1,25	
Steel failure with lever arm, Stainless steel A4, HCR										
Characteristic bending resistance	$M_{Rk,s}^0$	[Nm]	26	52	92	200	454	785,4	-	
Partial safety factor	γ_{Ms}	[-]	1,25				1,4	1,25		
Concrete pry-out failure										
Factor	k_8	[-]	2,4				2,8			
Concrete edge failure										
Effective length of anchor in shear loading with h_{ef}	Steel zinc plated	l_f	[mm]	46	60	70	85	100	115	125
	Stainless steel A4, HCR	l_f	[mm]	46	60	70	85	100	125	-
Effective length of anchor in shear loading with $h_{ef,red}$	Steel zinc plated	$l_{f,red}$	[mm]	35 ¹⁾	40	50	65	-	-	-
	Stainless steel A4, HCR	$l_{f,red}$	[mm]	35 ¹⁾	40	50	65			
Outside diameter of anchor	d_{nom}	[mm]	8	10	12	16	20	24	27	

¹⁾ Use restricted to anchoring of structural components statically indeterminate.

Wedge anchor ESSVE EST1

Performance

Characteristic values for **shear loads**, ESSVE EST1,
cracked and **non-cracked concrete**, static or quasi static action

Annex C5

Table C6: Characteristic resistance for **seismic loading**, ESSVE EST1
standard anchorage depth, performance category **C1** and **C2**

Anchor size		M8	M10	M12	M16	M20
Tension loads						
Installation safety factor	γ_{inst} [-]	1,0				
Steel failure, Steel zinc plated						
Characteristic resistance C1	$N_{Rk,s,eq,C1}$ [kN]	16	27	40	60	86
Characteristic resistance C2	$N_{Rk,s,eq,C2}$ [kN]	16	27	40	60	86
Partial safety factor	γ_{Ms} [-]	1,53		1,5		1,6
Steel failure, Stainless steel A4, HCR						
Characteristic resistance C1	$N_{Rk,s,eq,C1}$ [kN]	16	27	40	64	108
Characteristic resistance C2	$N_{Rk,s,eq,C2}$ [kN]	16	27	40	64	108
Partial safety factor	γ_{Ms} [-]	1,5				1,68
Pull-out (steel zinc plated, stainless steel A4 and HCR)						
Characteristic resistance C1	$N_{Rk,p,eq,C1}$ [kN]	5	9	16	25	36
Characteristic resistance C2	$N_{Rk,p,eq,C2}$ [kN]	2,3	3,6	10,2	13,8	24,4
Shear loads						
Steel failure without lever arm, Steel zinc plated						
Characteristic resistance C1	$V_{Rk,s,eq,C1}$ [kN]	9,3	20	27	44	69
Characteristic resistance C2	$V_{Rk,s,eq,C2}$ [kN]	6,7	14	16,2	35,7	55,2
Partial safety factor	γ_{Ms} [-]	1,25				1,33
Steel failure without lever arm, Stainless steel A4, HCR						
Characteristic resistance C1	$V_{Rk,s,eq,C1}$ [kN]	9,3	20	27	44	69
Characteristic resistance C2	$V_{Rk,s,eq,C2}$ [kN]	6,7	14	16,2	35,7	55,2
Partial safety factor	γ_{Ms} [-]	1,25				1,4

Wedge anchor ESSVE EST1

Performance

Characteristic resistance for **seismic loading**, ESSVE EST1,
standard anchorage depth, performance category **C1** and **C2**

Annex C6

Table C7: Characteristic values for tension and shear load under fire exposure, ESSVE EST1, standard anchorage depth, cracked and non-cracked concrete C20/25 to C50/60

Anchor size		M8	M10	M12	M16	M20	M24	M27		
Tension load										
Steel failure										
Steel, galvanised										
Characteristic resistance	R30	$N_{Rk,s,fi}$	[kN]	1,5	2,6	4,1	7,7	9,4	13,6	17,6
	R60			1,1	1,9	3,0	5,6	8,2	11,8	15,3
	R90			0,8	1,4	2,4	4,4	6,9	10,0	13,0
	R120			0,7	1,2	2,2	4,0	6,3	9,1	11,8
Stainless steel A4, HCR										
Characteristic resistance	R30	$N_{Rk,s,fi}$	[kN]	3,8	6,9	12,7	23,7	33,5	48,2	-
	R60			2,9	5,3	9,4	17,6	25,0	35,9	-
	R90			2,0	3,6	6,1	11,5	16,4	23,6	-
	R120			1,6	2,8	4,5	8,4	12,1	17,4	-
Shear load										
Steel failure without lever arm										
Steel, galvanised										
Characteristic resistance	R30	$V_{Rk,s,fi}$	[kN]	1,6	2,6	4,1	7,7	11	16	20,6
	R60			1,5	2,5	3,6	6,8	11	15	19,8
	R90			1,2	2,1	3,5	6,5	10	15	19,0
	R120			1,0	2,0	3,4	6,4	10	14	18,6
Stainless steel A4, HCR										
Characteristic resistance	R30	$V_{Rk,s,fi}$	[kN]	3,8	6,9	12,7	23,7	33,5	48,2	-
	R60			2,9	5,3	9,4	17,6	25,0	35,9	-
	R90			2,0	3,6	6,1	11,5	16,4	23,6	-
	R120			1,6	2,8	4,5	8,4	12,1	17,4	-
Steel failure with lever arm										
Steel, galvanised										
Characteristic resistance	R30	$M^0_{Rk,s,fi}$	[Nm]	1,7	3,3	6,4	16,3	29	50	75
	R60			1,6	3,2	5,6	14	28	48	72
	R90			1,2	2,7	5,4	14	27	47	69
	R120			1,1	2,5	5,3	13	26	46	68
Stainless steel A4, HCR										
Characteristic resistance	R30	$M^0_{Rk,s,fi}$	[Nm]	3,8	9,0	19,7	50,1	88,8	153,5	-
	R60			2,9	6,8	14,6	37,2	66,1	114,3	-
	R90			2,1	4,7	9,5	24,2	43,4	75,1	-
	R120			1,6	3,6	7,0	17,8	32,1	55,5	-

If pull-out is not decisive in equation D4 and D5, FprEN 1992-4:2016 $N_{Rk,p}$ must be replaced by $N^0_{Rk,c}$.

Wedge anchor ESSVE EST1

Performance

Characteristic values for tension and shear load under fire exposure, ESSVE EST1, standard anchorage depth, cracked and non-cracked concrete C20/25 to C50/60

Annex C7

Table C8: Characteristic values for tension and shear load under fire exposure, ESSVE EST1, reduced anchorage depth, cracked and non-cracked concrete C20/25 to C50/60

Anchor size		M8	M10	M12	M16		
Tension load							
Steel failure							
Steel, galvanised							
Characteristic resistance	R30	$N_{Rk,s,fi}$	[kN]	1,5	2,6	4,1	7,7
	R60			1,1	1,9	3,0	5,6
	R90			0,8	1,3	1,9	3,5
	R120			0,6	1,0	1,3	2,5
Stainless steel A4, HCR							
Characteristic resistance	R30	$N_{Rk,s,fi}$	[kN]	3,2	6,9	12,7	23,7
	R60			2,5	5,3	9,4	17,6
	R90			1,9	3,6	6,1	11,5
	R120			1,6	2,8	4,5	8,4
Shear load							
Steel failure without lever arm							
Steel, galvanised							
Characteristic resistance	R30	$V_{Rk,s,fi}$	[kN]	1,5	2,6	4,1	7,7
	R60			1,1	1,9	3,0	5,6
	R90			0,8	1,3	1,9	3,5
	R120			0,6	1,0	1,3	2,5
Stainless steel A4, HCR							
Characteristic resistance	R30	$V_{Rk,s,fi}$	[kN]	3,2	6,9	12,7	23,7
	R60			2,5	5,3	9,4	17,6
	R90			1,9	3,6	6,1	11,5
	R120			1,6	2,8	4,5	8,4
Steel failure with lever arm							
Steel, galvanised							
Characteristic resistance	R30	$M^0_{Rk,s,fi}$	[Nm]	1,5	3,3	6,4	16,3
	R60			1,2	2,5	4,7	11,9
	R90			0,8	1,7	3,0	7,5
	R120			0,6	1,2	2,1	5,3
Stainless steel A4, HCR							
Characteristic resistance	R30	$M^0_{Rk,s,fi}$	[Nm]	3,2	8,9	19,7	50,1
	R60			2,6	6,8	14,6	37,2
	R90			2,0	4,7	9,5	24,2
	R120			1,6	3,6	7,0	17,8

If pull-out is not decisive in equation D4 and D5, FprEN 1992-4:2016 $N_{Rk,p}$ must be replaced by $N^0_{Rk,c}$.

Wedge anchor ESSVE EST1

Performance

Characteristic values for tension and shear load under fire exposure, ESSVE EST1, reduced anchorage depth, cracked and non-cracked concrete C20/25 to C50/60

Annex C8

Table C9: Displacements under tension load, ESSVE EST1

Anchor size			M8	M10	M12	M16	M20	M24	M27
Standard anchorage depth									
Steel zinc plated									
Tension load in cracked concrete	N	[kN]	2,4	4,3	7,6	11,9	17,1	21,1	24
Displacement	δ_{N0}	[mm]	0,6	1,0	0,4	1,0	0,9	0,7	0,9
	$\delta_{N\infty}$	[mm]	1,4	1,2	1,4	1,3	1,0	1,2	1,4
Tension load in non-cracked concrete	N	[kN]	5,7	7,6	11,9	16,7	23,8	29,6	34
Displacement	δ_{N0}	[mm]	0,4	0,5	0,7	0,3	0,4	0,5	0,3
	$\delta_{N\infty}$	[mm]	0,8		1,4	0,8		1,4	
Displacements under seismic tension loads C2									
Displacements for DLS	$\delta_{N,eq,(DLS)}$	[mm]	2,3	4,1	4,9	3,6	5,1	-	-
Displacements for ULS	$\delta_{N,eq,(ULS)}$	[mm]	8,2	13,8	15,7	9,5	15,2	-	-
Stainless steel A4, HCR									
Tension load in cracked concrete	N	[kN]	2,4	4,3	7,6	11,9	17,1	19,0	-
Displacement	δ_{N0}	[mm]	0,7	1,8	0,4	0,7	0,9	0,5	-
	$\delta_{N\infty}$	[mm]	1,2	1,4	1,4	1,4	1,0	1,8	-
Tension load in non-cracked concrete	N	[kN]	5,8	7,6	11,9	16,7	23,8	33,5	-
Displacement	δ_{N0}	[mm]	0,6	0,5	0,7	0,2	0,4	0,5	-
	$\delta_{N\infty}$	[mm]	1,2	1,0	1,4	0,4	0,8	1,1	-
Displacements under seismic tension loads C2									
Displacements for DLS	$\delta_{N,eq,(DLS)}$	[mm]	2,3	4,1	4,9	3,6	5,1	-	-
Displacements for ULS	$\delta_{N,eq,(ULS)}$	[mm]	8,2	13,8	15,7	9,5	15,2	-	-
Reduced anchorage depth									
Steel zinc plated, stainless steel A4, HCR									
Tension load in cracked concrete	N	[kN]	2,4	3,6	6,1	9,0	-	-	-
Displacement	δ_{N0}	[mm]	0,8	0,7	0,5	1,0	-	-	-
	$\delta_{N\infty}$	[mm]	1,2	1,0	0,8	1,1	-	-	-
Tension load in non-cracked concrete	N	[kN]	3,7	4,3	8,5	12,6	-	-	-
Displacement	δ_{N0}	[mm]	0,1	0,2	0,2	0,2	-	-	-
	$\delta_{N\infty}$	[mm]	0,7	0,7	0,7	0,7	-	-	-

Wedge anchor ESSVE EST1

Performance
Displacements under tension load

Annex C9

Table C10: Displacements under shear load, ESSVE EST1

Anchor size			M8	M10	M12	M16	M20	M24	M27
Standard anchorage depth									
Steel zinc plated									
Shear load in cracked and non-cracked concrete	V	[kN]	6,9	11,4	17,1	31,4	36,8	64,9	96,8
Displacement	δ_{V0}	[mm]	2,0	3,2	3,6	3,5	1,8	3,5	3,6
	$\delta_{V\infty}$	[mm]	3,0	4,7	5,5	5,3	2,7	5,3	5,4
Displacements under seismic shear loads C2									
Displacements for DLS	$\delta_{V,eq(DLS)}$	[mm]	3,0	2,7	3,5	4,3	4,7	-	-
Displacements for ULS	$\delta_{V,eq(ULS)}$	[mm]	5,9	5,3	9,5	9,6	10,1	-	-
Stainless steel A4, HCR									
Shear load in cracked and non-cracked concrete	V	[kN]	7,3	11,4	17,1	31,4	43,8	70,6	-
Displacement	δ_{V0}	[mm]	1,9	2,4	4,0	4,3	2,9	2,8	-
	$\delta_{V\infty}$	[mm]	2,9	3,6	5,9	6,4	4,3	4,2	-
Displacements under seismic shear loads C2									
Displacements for DLS	$\delta_{V,eq(DLS)}$	[mm]	3,0	2,7	3,5	4,3	4,7	-	-
Displacements for ULS	$\delta_{V,eq(ULS)}$	[mm]	5,9	5,3	9,5	9,6	10,1	-	-
Reduced anchorage depth									
Steel zinc plated									
Shear load in cracked and non-cracked concrete	V	[kN]	6,9	11,4	17,1	31,4	-	-	-
Displacement	δ_{V0}	[mm]	2,0	3,2	3,6	3,5	-	-	-
	$\delta_{V\infty}$	[mm]	3,0	4,7	5,5	5,3	-	-	-
Stainless steel A4, HCR									
Shear load in cracked and non-cracked concrete	V	[kN]	7,3	11,4	17,1	31,4	-	-	-
Displacement	δ_{V0}	[mm]	1,9	2,4	4,0	4,3	-	-	-
	$\delta_{V\infty}$	[mm]	2,9	3,6	5,9	6,4	-	-	-

Wedge anchor ESSVE EST1

Performance
Displacements under shear load

Annex C10

Table C11: Characteristic values for **tension loads, ESSVE EST1-IG, cracked concrete**, static and quasi-static action

Anchor size			M6	M8	M10	M12
Installation safety factor	γ_{inst}	[-]	1,2			
Steel failure						
Characteristic tension resistance, steel zinc plated	$N_{Rk,s}$	[kN]	16,1	22,6	26,0	56,6
Partial safety factor	γ_{Ms}	[-]	1,5			
Characteristic tension resistance, stainless steel A4, HCR	$N_{Rk,s}$	[kN]	14,1	25,6	35,8	59,0
Partial safety factor	γ_{Ms}	[-]	1,87			
Pull-out failure						
Characteristic resistance in cracked concrete C20/25	$N_{Rk,p}$	[kN]	5	9	12	20
Increasing factor for $N_{Rk,p}$	ψ_c	[-]	$\left(\frac{f_{ck}}{20}\right)^{0,5}$			
Concrete cone failure						
Effective anchorage depth	h_{ef}	[mm]	45	58	65	80
Factor k_1 for cracked concrete	$k_{cr,N}$	[-]	7,7			

Wedge anchor ESSVE EST1-IG

Performance
Characteristic values for **tension loads, ESSVE EST1-IG, cracked concrete**, static and quasi-static action

Annex C11

Table C12: Characteristic values for **tension loads, ESSVE EST1-IG, non-cracked concrete**, static and quasi-static action

Anchor size			M6	M8	M10	M12
Installation safety factor	γ_{inst}	[-]	1,2			
Steel failure						
Characteristic tension resistance, steel zinc plated	$N_{Rk,s}$	[kN]	16,1	22,6	26,0	56,6
Partial safety factor	γ_{Ms}	[-]	1,5			
Characteristic tension resistance, stainless steel A4, HCR	$N_{Rk,s}$	[kN]	14,1	25,6	35,8	59,0
Partial safety factor	γ_{Ms}	[-]	1,87			
Pull-out						
Characteristic resistance in non-cracked concrete C20/25	$N_{Rk,p}$	[kN]	12	16	20	30
Splitting (The higher resistance of Case 1 and Case 2 may be applied)						
Minimum thickness of concrete member	h_{min}	[mm]	100	120	130	160
Case 1						
Characteristic resistance in non-cracked concrete C20/25	$N^0_{Rk,sp}$	[kN]	9	12	16	25
Spacing (edge distance)	$c_{cr,sp}$	[mm]	$1,5 h_{ef}$			
Case 2						
Characteristic resistance in non-cracked concrete C20/25	$N^0_{Rk,sp}$	[kN]	12	16	20	30
Spacing (edge distance)	$c_{cr,sp}$	[mm]	$2,5 h_{ef}$			
Increasing factor for $N_{Rk,p}$ and $N^0_{Rk,sp}$	ψ_c	[-]	$\left(\frac{f_{ck}}{20}\right)^{0,5}$			
Concrete cone failure						
Effective anchorage depth	h_{ef}	[mm]	45	58	65	80
Factor k_1 for non-cracked concrete	$k_{ucr,N}$	[-]	11,0			

Wedge anchor ESSVE EST1-IG

Performance
Characteristic values for **tension loads, ESSVE EST1-IG, non-cracked concrete**, static and quasi-static action

Annex C12

Table C13: Characteristic values for shear loads, ESSVE EST1-IG, cracked and non-cracked concrete, static and quasi-static action

Anchor size			M6	M8	M10	M12
Installation safety factor	γ_{inst}	[-]	1,0			
ESSVE EST1-IG, steel zinc plated						
Steel failure without lever arm, Installation type V						
Characteristic shear resistance	$V_{Rk,s}$	[kN]	5,8	6,9	10,4	25,8
Steel failure without lever arm, Installation type D						
Characteristic shear resistance	$V_{Rk,s}$	[kN]	5,1	7,6	10,8	24,3
Steel failure with lever arm, Installation type V						
Characteristic bending resistance	$M^0_{Rk,s}$	[Nm]	12,2	30,0	59,8	104,6
Steel failure with lever arm, Installation type D						
Characteristic bending resistance	$M^0_{Rk,s}$	[Nm]	36,0	53,2	76,0	207
Partial safety factor for $V_{Rk,s}$ and $M^0_{Rk,s}$	γ_{Ms}	[-]	1,25			
Factor of ductility	k_7	[-]	1,0			
ESSVE EST1-IG, stainless steel A4, HCR						
Steel failure without lever arm, Installation type V						
Characteristic shear resistance	$V_{Rk,s}$	[kN]	5,7	9,2	10,6	23,6
Partial safety factor	γ_{Ms}	[-]	1,25			
Steel failure without lever arm, Installation type D						
Characteristic shear resistance	$V_{Rk,s}$	[kN]	7,3	7,6	9,7	29,6
Partial safety factor	γ_{Ms}	[-]	1,25			
Steel failure with lever arm, Installation type V						
Characteristic bending resistance	$M^0_{Rk,s}$	[Nm]	10,7	26,2	52,3	91,6
Partial safety factor	γ_{Ms}	[-]	1,56			
Steel failure with lever arm, Installation type D						
Characteristic bending resistance	$M^0_{Rk,s}$	[Nm]	28,2	44,3	69,9	191,2
Partial safety factor	γ_{Ms}	[-]	1,25			
Factor of ductility	k_7	[-]	1,0			
Concrete pry-out failure						
Factor	k_8	[-]	1,5	1,5	2,0	2,0
Concrete edge failure						
Effective length of anchor in shear loading	l_f	[mm]	45	58	65	80
Effective diameter of anchor	d_{nom}	[mm]	8	10	12	16

Wedge anchor ESSVE EST1-IG

Performance
Characteristic values for shear loads, ESSVE EST1-IG
cracked and non-cracked concrete, static and quasi-static action

Annex C13

Table C14: Characteristic values for **tension** and **shear load** under **fire exposure**, **ESSVE EST1-IG**, cracked and non-cracked concrete C20/25 to C50/60

Anchor size		M6	M8	M10	M12		
Tension load							
Steel failure							
Steel zinc plated							
Characteristic resistance	R30	$N_{Rk,s,fi}$	[kN]	0,7	1,4	2,5	3,7
	R60			0,6	1,2	2,0	2,9
	R90			0,5	0,9	1,5	2,2
	R120			0,4	0,8	1,3	1,8
Stainless steel A4, HCR							
Characteristic resistance	R30	$N_{Rk,s,fi}$	[kN]	2,9	5,4	8,7	12,6
	R60			1,9	3,8	6,3	9,2
	R90			1,0	2,1	3,9	5,7
	R120			0,5	1,3	2,7	4,0
Shear load							
Steel failure without lever arm							
Steel zinc plated							
Characteristic resistance	R30	$V_{Rk,s,fi}$	[kN]	0,7	1,4	2,5	3,7
	R60			0,6	1,2	2,0	2,9
	R90			0,5	0,9	1,5	2,2
	R120			0,4	0,8	1,3	1,8
Stainless steel A4, HCR							
Characteristic resistance	R30	$V_{Rk,s,fi}$	[kN]	2,9	5,4	8,7	12,6
	R60			1,9	3,8	6,3	9,2
	R90			1,0	2,1	3,9	5,7
	R120			0,5	1,3	2,7	4,0
Steel failure with lever arm							
Steel zinc plated							
Characteristic resistance	R30	$M^0_{Rk,s,fi}$	[Nm]	0,5	1,4	3,3	5,7
	R60			0,4	1,2	2,6	4,6
	R90			0,4	0,9	2,0	3,4
	R120			0,3	0,8	1,6	2,8
Stainless steel A4, HCR							
Characteristic resistance	R30	$M^0_{Rk,s,fi}$	[Nm]	2,2	5,5	11,2	19,6
	R60			1,5	3,9	8,1	14,3
	R90			0,7	2,2	5,1	8,9
	R120			0,4	1,3	3,5	6,2

Wedge anchor ESSVE EST1-IG

Performance

Characteristic values for **tension** and **shear loads** under **fire exposure**, **ESSVE EST1-IG** cracked and non-cracked concrete C20/25 to C50/60

Annex C14

Table C15: Displacements under tension load, ESSVE EST1-IG

Anchor size		M6	M8	M10	M12
Tension load in cracked concrete	N [kN]	2,0	3,6	4,8	8,0
Displacements	δ_{N0} [mm]	0,6	0,6	0,8	1,0
	$\delta_{N\infty}$ [mm]	0,8	0,8	1,2	1,4
Tension load in non-cracked concrete	N [kN]	4,8	6,4	8,0	12,0
Displacements	δ_{N0} [mm]	0,4	0,5	0,7	0,8
	$\delta_{N\infty}$ [mm]	0,8	0,8	1,2	1,4

Table C16: Displacements under shear load, ESSVE EST1-IG

Anchor size		M6	M8	M10	M12
Shear load in cracked and non-cracked concrete	V [kN]	4,2	5,3	6,2	16,9
Displacements	δ_{V0} [mm]	2,8	2,9	2,5	3,6
	$\delta_{V\infty}$ [mm]	4,2	4,4	3,8	5,3

Wedge anchor ESSVE EST1-IG

Performance
Displacements under tension load and under shear load

Annex C15